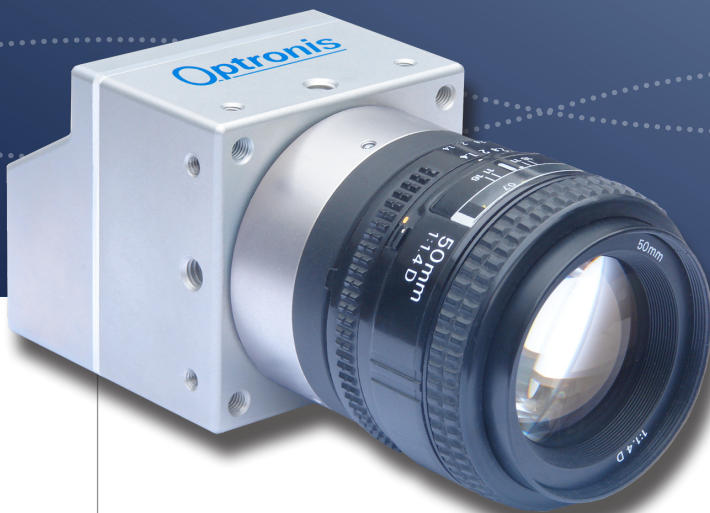


CAMPERFORM-CYCLONE SERIES

Cyclone-5-700

High-Speed Machine Vision Camera



CXP-12

- ✓ METROLOGY AND HIGH SPEED MACHINE VISION
- ✓ AUTOMATED OPTICAL INSPECTION (AOI)
- ✓ LASER TRIANGULATION

- 693 fps with 2 560 x 1 916 pixels
- Global shutter with low noise pixel
- Micro-BNC (HD-BNC™) connectors
- CoaXPress V2.0 interface with 4 x 12.5 Gbit/s
- Power and trigger via CoaXPress
- Microsecond and frame counter

Cyclone-5-700 High-Speed Machine Vision Camera

Optronis

Make time visible

FEATURES

The Cyclone-5-700 is a high resolution camera with low noise pixels. It is part of Optronis CamPerform-Cyclone series for demanding machine vision applications. Reducing vertical resolution allows to increase frame rate.

- 2560 x 1916 pixel resolution
- low noise pixel
- frame rate increases with vertical window size reduction

Firmware features

- Analogue gain adjustment
- Analogue offset adjustment
- Hot pixel correction (customer activatable)
- LUT factory set or customer definition
- Framenumber and Microsecond counter on image

SPECIFICATIONS

Sensor type	LUX51, Global Shutter
Resolution	2560 pixel x 1916 pixel
Frame rate (full resolution)	20 .. 693 fps
Exposure time	4 µs .. 1 / frame rate
Active area / Diagonal	12.80 mm x 9.60 mm / 16.00 mm
Pixel distance	5.0 µm x 5.0 µm
A/D conversion	8/10 Bit
Sensitivity (sensor)	6 V/lux·s @ 550 nm
Quantum efficiency (sensor)	>45 % @ 550 nm
Synchronization	internal, external, CoaXPress
Synchronization signals	Synch IN and Synch OUT, TTL level, electrically isolated
Interface	CoaXPress 2.0 (4 ch., CXP-12) Micro-BNC (HD-BNC) connectors
Power	10 W, PoCXP, ext.
Operating ambient temperature	0 .. +40°C / 32 .. 104°F
Weight	400 g without mount
Dimensions	65 mm x 65 mm x 71 mm (3D model data available)

PERFORMANCE (EXAMPLES)

Resolution (HxV)	Frame rate	Resolution (HxV)	Frame rate
2560 x 1916	693 fps	2560 x 960	1380 fps
1920 x 1080	1227 fps	2560 x 480	2743 fps
1280 x 960	1380 fps	2560 x 120	10579 fps
512 x 384	3418 fps	2560 x 32	35063 fps
256 x 8	95057 fps	2560 x 8	95057 fps

MODELS

Cyclone-5-700-M	monochrome Camera
Cyclone-5-700-C	color Camera
Scope of delivery	Camera, brief introduction

ACCESSORIES

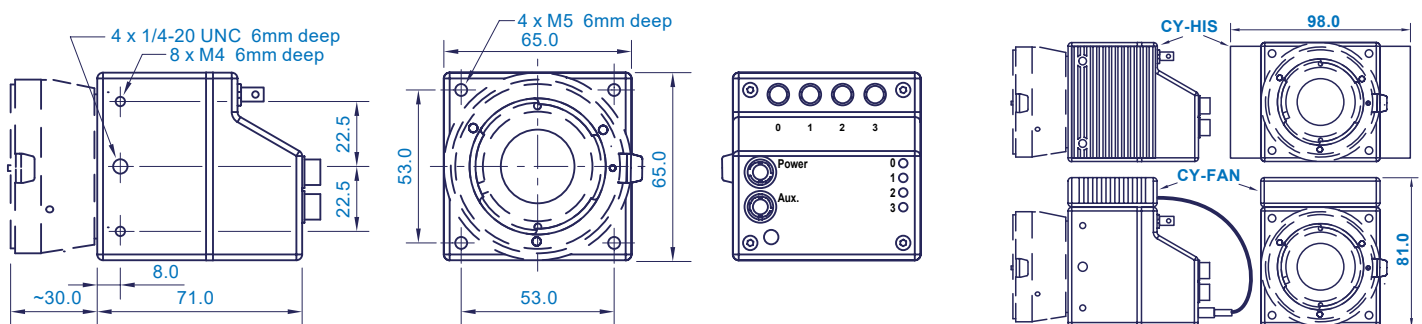
CY-CM	C-Mount lens adapter
CY-FM	F-Mount lens adapter
CY-M42	M42 Mount lens adapter
CPH6-PTC	Pig tail cable for synch
CPH6-USB	Programming Cable
CY-HIS	Heat Sink
CY-FAN	Cooling Fan

EMVA1288 measurements (v3.1 typ. preliminary)

Dynamic range	TBD dB
Saturation capacity	15 000 e ⁻
Temporal dark noise	10 e ⁻
System gain	15 e ⁻ /DN
Signal-to-Noise Ratio	50 dB
DSNU	50 e ⁻
PRNU	1.5 %
Non-linearity error LE _{min} , LE _{max}	TBD % (TBD % EMVA1288 v3.0)



TECHNICAL DRAWING



CONTACT INFORMATION

Optronis GmbH
Ludwigstraße 2
77694 Kehl
Germany

Phone: +49 7851 91 26 - 0
Fax: +49 7851 91 26 - 10
info@optronis.com
www.optronis.com

The information given herein is believed to be reliable, however Optronis makes no warranties as to its accuracy or completeness. Data sheet is subject to modifications at any time. 12.19