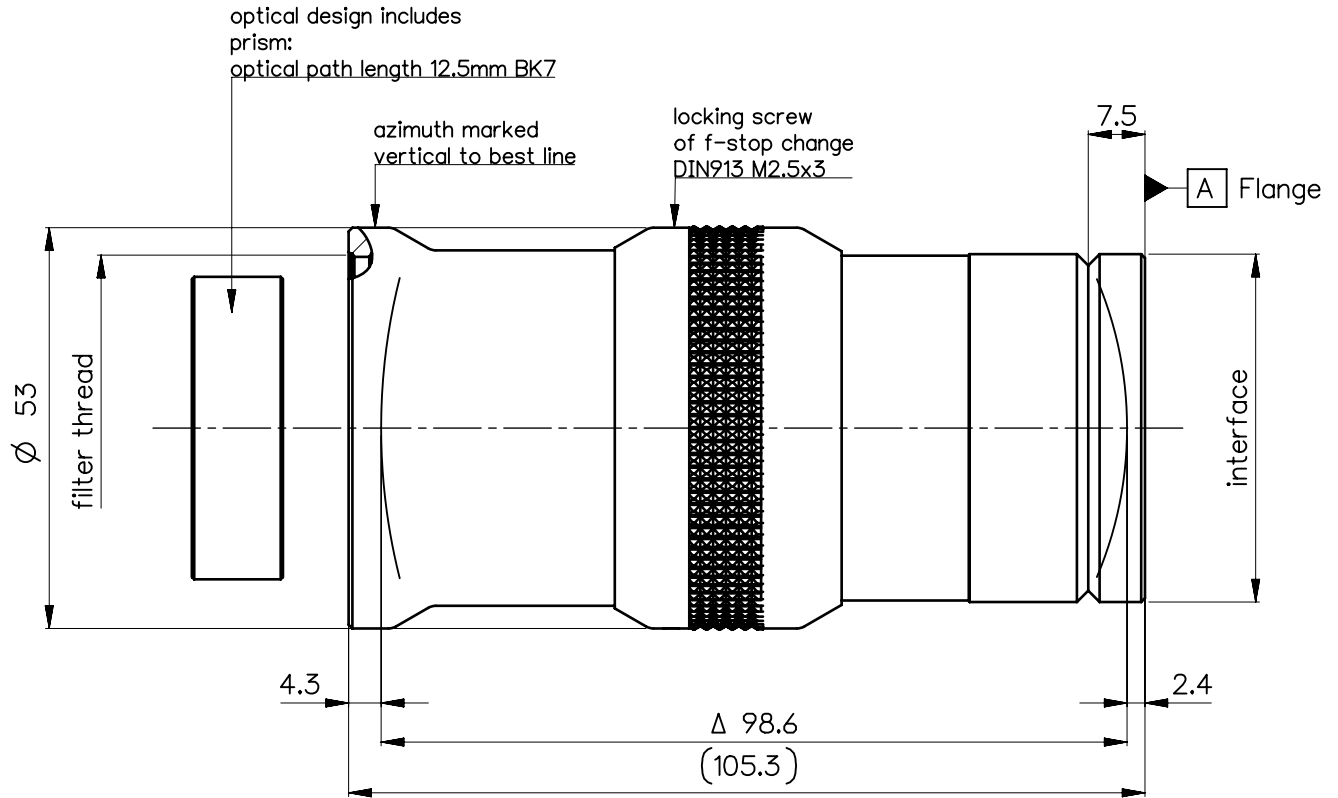


order number	lens name
0703-108-000-20	inspec.x L 3.5/105 -5x prism
0703-107-824-00	inspec.x L prism module



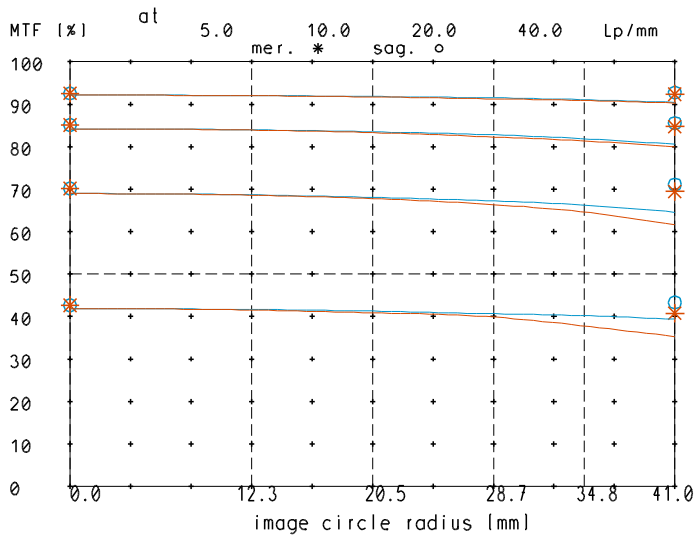
Specification	ON	7604-9391	
image circle max. (mm)	82	working distance (mm)	20 - 18
focal length f' (mm)	113.3	interface	V-groove Ø46 h7
magnification β' [range]	-5 [-4.8 ... -5.2]	filter thread	M46 x0.75
spectral range λ (nm)	400 - 750	weight (g)	450

<p>schematic diagram</p> <p>*) in air</p>	design includes CCD cover glass:	yes 0.4 Suprasil																																																							
	<table border="1"> <tr> <td>SF (mm)</td> <td>-48.9</td> <td>f-stop</td> <td>3.5</td> <td>Ø EnP</td> <td>34.2</td> <td>Ø Exp</td> <td>32.0</td> </tr> <tr> <td>S'F' (mm) *)</td> <td>28.8</td> <td></td> <td></td> <td></td> <td></td> <td></td> <td></td> </tr> <tr> <td>HH' (mm) *)</td> <td>-50.2</td> <td></td> <td></td> <td></td> <td></td> <td></td> <td></td> </tr> <tr> <td>SH (mm)</td> <td>64.3</td> <td></td> <td></td> <td></td> <td></td> <td></td> <td></td> </tr> <tr> <td>S'H' (mm) *)</td> <td>-84.5</td> <td></td> <td></td> <td></td> <td></td> <td></td> <td></td> </tr> <tr> <td>SEnP (mm)</td> <td>72.0</td> <td></td> <td></td> <td></td> <td></td> <td></td> <td></td> </tr> <tr> <td>S'ExP (mm) *)</td> <td>-77.4</td> <td></td> <td></td> <td></td> <td></td> <td></td> <td></td> </tr> </table>	SF (mm)	-48.9	f-stop	3.5	Ø EnP	34.2	Ø Exp	32.0	S'F' (mm) *)	28.8							HH' (mm) *)	-50.2							SH (mm)	64.3							S'H' (mm) *)	-84.5							SEnP (mm)	72.0							S'ExP (mm) *)	-77.4						
SF (mm)	-48.9	f-stop	3.5	Ø EnP	34.2	Ø Exp	32.0																																																		
S'F' (mm) *)	28.8																																																								
HH' (mm) *)	-50.2																																																								
SH (mm)	64.3																																																								
S'H' (mm) *)	-84.5																																																								
SEnP (mm)	72.0																																																								
S'ExP (mm) *)	-77.4																																																								

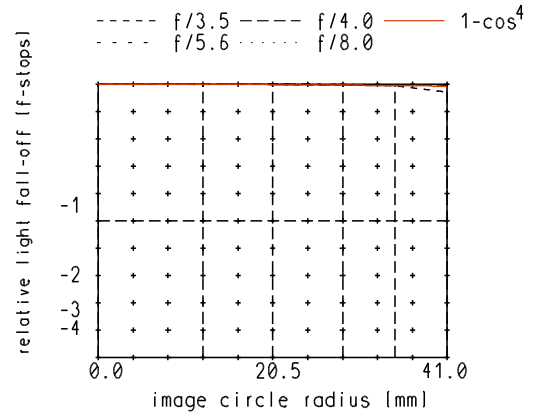
<p>NX</p> <p>PROTECTIVE NOTE "DIN ISO 16016" TO BE OBSERVED</p>	EU-D	AL-T1A	US-D	US-ML	not export controlled	
	REV	ECC	DATE	APPROVED	PDM Status	Freigabe
	a	Neuausg			SCALE	1:1
	b	12-0185	05.04.12	Schuber	MATERIAL	
c	14-0184	21.08.14	Schiffe	TITLE	inspec.x L 3.5/105 -5x prism	
d	15-0640	31.07.15	Bo ll		prepared for prism use	
				FIRST	DATE	NAME
				ISSUE	28.07.11	Kuehne
				CHKD	28.07.11	Stauder
				DRAWING NO.	0703-108-100-00-0001d	SHEET 1
				REPLACES		OF 1
DIN A 4	ALL DIMENSIONS ARE IN MM AND INCLUDE SURFACE TREATMENT					

inspec.x_L_3.5/105_-5x_prism

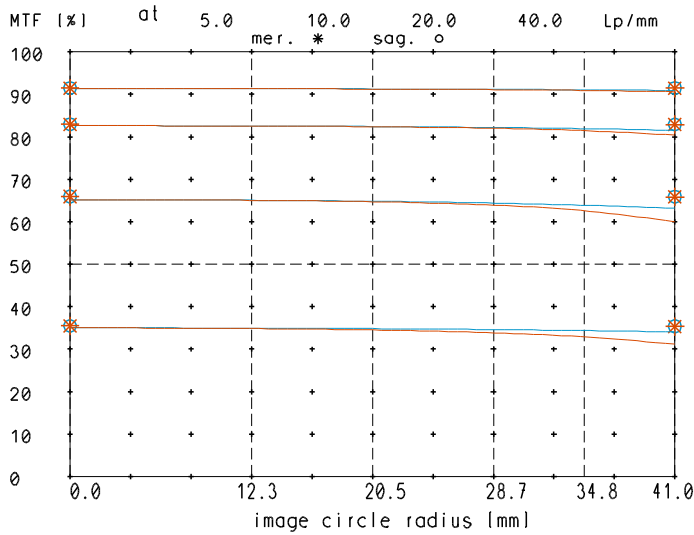
MTF at ratio -5.0 f/ 3.5



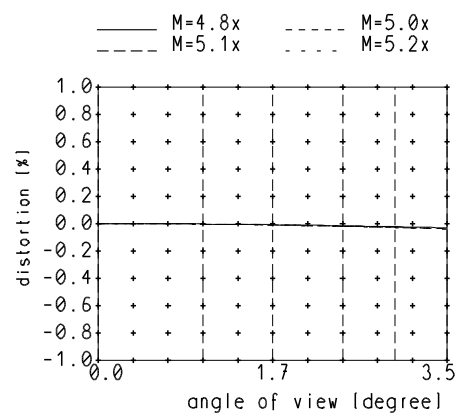
relative light fall-off at ratio -5.0



MTF at ratio -5.0 f/ 4.0

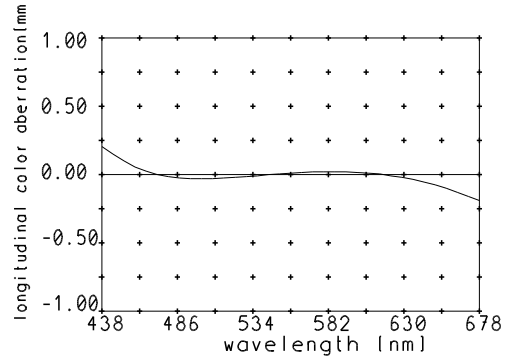


Distortion at ratio 4.8x to 5.2x



— sagittal. o Diffraction limited value
 — meridional * Diffraction limited value

Longitudinal color aberration at ratio -5.0



Named frequencies (line pairs/mm) in modular transfer function (MTF) as well as diagrams of relative light fall-off, distortion and longitudinal color aberration refer to film plane.