

BVC6200LM 4 Sensors Line Scan Camera

BVC6200LM is a 4 sensor prism spectroscopic color line scan camera using newly developed prism to cover both RGB and SWIR wavelength with M52 mount.



Features

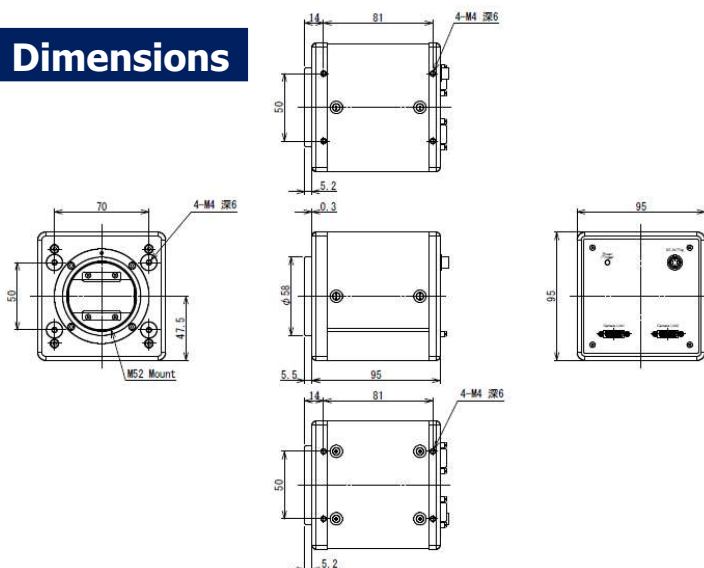
- ◆ New designed prism for 4 line scan sensors
(Selecting 4 different arbitrary wavelengths between 400nm~1680nm is possible by utilizing filter bonding technology, as a customized option.)
- ◆ CMOS sensors -- 4096pixels, 7 μ m square pixel x 3
InGaAs sensor – 1024pixels, 12.5 μ m square pixel x 1
- ◆ Compact size, Light weight
- ◆ Pixel clock 80MHz, Line rate 18,034 lines/second
(Line rate 32,679 lines/second when PixelRemap is ON)
- ◆ Variable shutter speed setting for Electric shutter (9.52 μ s~100ms by 1 μ s step)
- ◆ Image out -- Camera Link medium configuration 8bit x 4 R/G/B/SWIR
- ◆ Gain level setting -3dB~+12dB
- ◆ Internal / External trigger
- ◆ Various compensation functions are installed (see back page)
- ◆ 3 operation modes (No Shutter mode, Shutter Select mode, Pulse width trigger)
- ◆ Camera Link, Baud rate 115200bps
- ◆ Field update (Remote update) function
- ◆ Original camera control tool is bundled

Specifications

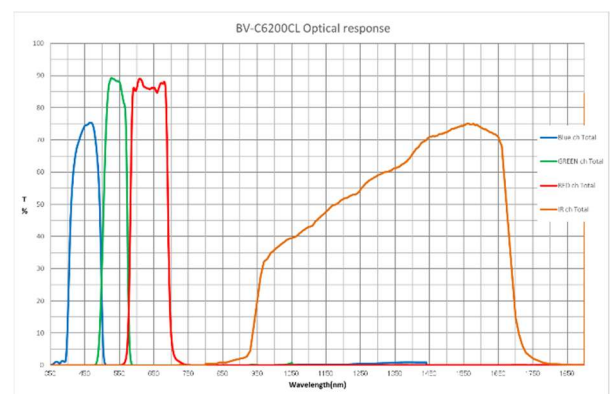
Functions	BVC6200LM
Optical structure	4 sensors prism (400nm~1680nm)
Image sensor	CMOS line sensor 4096 pixels, 7μm square InGaAs line sensor 1024pixels, 12.5μm square
Effective capture length	R/G/B 28.672mm SWIR 12.8mm FOV matching mode (PixelRemap mode)
Synchronization	Internal / External trigger
Pixel clock frequency	80MHz
Line rate / Line frequency	55.45μs (Internal) 18.03kHz (PixelRemap OFF) 32.67kHz (PixelRemap ON)
Image output	PixelRemap ON: R/G/B 1828 pixel out, SWIR 1828 pixel out PixelRemap OFF: R/G/B 4096 pixel out, SWIR 1024 pixel out Camera Link, Medium configuration, 8/10/12 bit ×4, Dual base 8bit × 4
Standard Illuminance	3500lx (corresponds to 7800K)
S/N	RGB: more than 48dB (8 bit), SWIR: 58dB (when Level is 0)
Line rate (Variable)	55.45μs ~ 100ms (by 12.5ns step)
Electric shutter (Variable)	9.52μs ~ 100ms (by 1μs step)
Gain	R/G/B/SWIR -3 dB ~ +12dB
Gain	R/G/B/SWIR 0LSB ~ 31LSB
Black level	Camera Link LVDS (CC1)
Trigger input	1. No Shutter mode (Internal/External trigger) 2. Shutter Select mode (Internal/External trigger) 3. Pulse Width Control (External trigger)
Compensation	PRNU, DSNU, Flat/Color shading compensation, Lens aberration compensation (ON/OFF)
Communication Interface	Camera Link EIA644, 115200bps
Lens mount	M52
Input voltage / Current consumption	DC 12V~24V, Std- TBD / Max- TBD
Operation temperature / Humidity	-5°C ~ +45°C / 20%~80% (No condensing)
Storage temperature / Humidity	-25°C ~ +60°C / 20%~80% (No condensing)
Dimensions (W x H x D)	95 x 95 x 95 mm
Weight	840g

* Spec data maybe updated for goods improvement.

Dimensions



Optical Response



BlueVision Co., Ltd.

3-17-2 Shin-Yokohama, Kohoku-ku, Yokohama, Japan
 TEL: +81(0)45-471-4595 / FAX: +81(0)45-471-4598
 E-mail: sales@bluevision.jp
 URL: <https://www.bluevision.jp>

