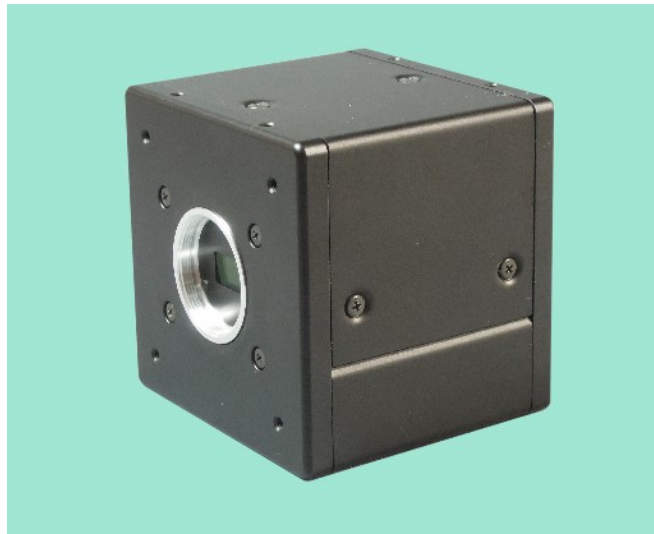


BV-C8220CL/C8225CL 2 Wave Wideband Area Scan Camera

The BV-C8220CL and BV-C8225CL are 2CMOS area scan cameras which employ newly developed prism optics and use 1/2.9" 1.58MP Global shutter type CMOS sensors. They split the incident light into the visible wavelength and NIR wavelength, and output an individual image respectively.



Key Features

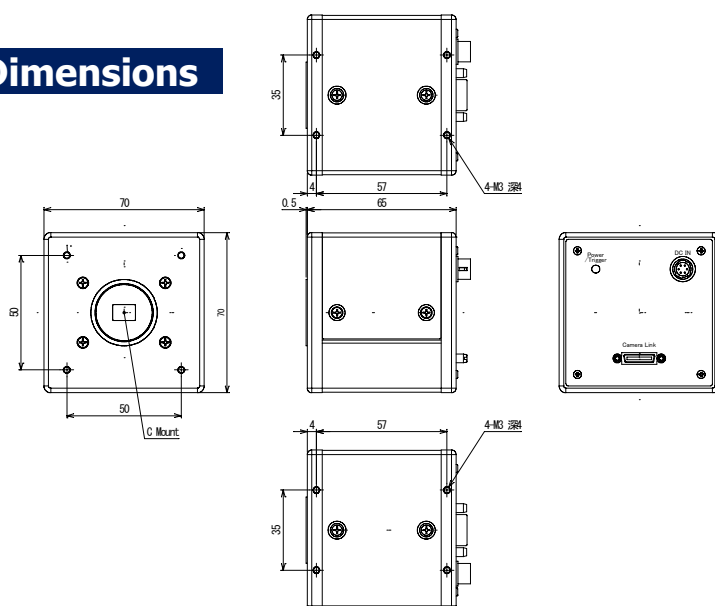
- ◆ Newly developed 1/3-inch 2 wavelength band separation prism optics
- ◆ The BV-C8220CL separates in color visible and NIR, while BV-C8225CL in B/W visible and NIR.
- ◆ 2 x 1440(H) x 1080(V) pixels and pixel size of 3.45 μ m CMOS sensors are used.
- ◆ Effective output image size is 1440(H) x 1080(V).
- ◆ Small size and light in weight, compact and rugged body
- ◆ Maximum 43 frames with 1440(H) x 1080(V) and 50 frames with 1440(H) x 960(V)
- ◆ Precise shutter setting of 1 μ sec unit (1/43 sec to 1/100000sec)
- ◆ Gain adjustment from 0dB to 12dB
- ◆ Shading compensation
- ◆ Internal mode or external trigger mode
- ◆ Three operation modes (No shutter mode, Shutter select mode, Pulse width)
- ◆ Camera Link Base Configuration 8bit x 2
- ◆ BV camera control tool is available.

Specifications

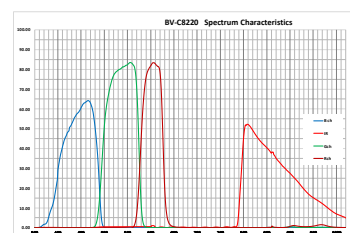
	BV-C8220CL	BV-C8225CL
Optical system	1/3-inch 2 bandwidth separation dichroic prism	
Image sensor	1/2.9-inch Bayer CMOS x 1, B/W CMOS x 1	1/2.9-inch B/W CMOS x 2
Optical response	400nm~630nm Bayer / 800nm~1000nm NIR	400nm~630nm B/W / 800nm~1000nm NIR
Effective output image pixel	1440(H) x 1080(V), Pixel size 3.45μm square pixel	
Synchronization	Internal or External trigger	
Pixel clock cycle	Sensor clock: 74.25MHz	
Frame rate	Full pixels readout: 1440(H) x 1080(V) 43fps ROI: 1440(H) x 960(V) 50fps, 640(H) x 480(V) VGA 200fps	
Image output	Camera Link Base configuration 8bit x 2	
Minimum illumination	2000lx (F8.0, Shutter 1/45s, Gain 0dB, Bayer Sensor·G pixel)	
S/N	More than 48dB (8bit gradation, more than theoretical value)	
Electronic shutter	Range: 1/43 sec (in 43fps)~1/100000 sec, 1μsec unit	
White balance	Bayer sensor: One push auto	-
Gain	R/G/B 0dB ~ +12dB	Y 0dB ~ +12dB
Black level	R/G/B 0LSB ~ 31LSB	Black 0LSB ~ 31LSB
Trigger input	Camera Link LVDS (CC1)	
Operation mode	1. No Shutter mode (Internal) 2. Shutter Select mode (Internal/External trigger) 3. Pulse Width Control (External trigger)	
Shading Compensation	Flat shading compensation ON/OFF	
Communication interface	Camera Link EIA644, Baud rate 115200bps	
Lens mount	C mount	
Input voltage /Current consumption	DC 12V~24V, Typical 0.4A / Max. 0.5A (DC12V input)	
Operating Temperature / Humidity	-5°C ~ +45°C / 20%~80% (non-condensing)	
Storage Temperature / Humidity	-25°C ~ +60°C / 20%~80% (non-condensing)	
Dimensions (WxHxD)	70 x 70 x 65mm (excluding protrusion)	
Weight	320g	

Specifications are subject to change without prior notice.

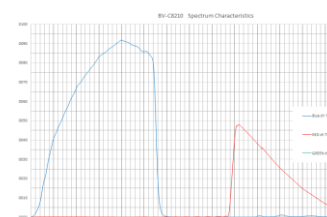
Dimensions



Optical Response



BV-C8220CL



BV-C8225CL

BlueVision Co., Ltd.

3-17-2 Shin-Yokohama, Kohoku-ku,
Yokohama-shi, Kanagawa 222-0033 JAPAN
TEL: 045-471-4595 / FAX: 045-471-4598
URL: <https://www.bluevision.jp>
Contact: sales@bluevision.jp

