

PhoXi 3D Scanner S



Datasheet

Parameter	Value
3D Sensing Technology	Structured Light
Output data	3D points (x y z) Normals (x y z) Depth Map (z) Texture (grayscale intensity) Confidence
Resolution	Up to 3.2 Million 3D Points 2064 x 1544
Scanning range	384 - 520 mm
Optimal scanning distance (sweet spot)	442 mm
Scanning area (at the sweet spot)	360 x 272 mm
Point-to-point distance (at the sweet spot)	0.174 mm
Calibration accuracy (1 σ)	0.050 mm
Temporal noise (1 σ)	0.050 mm
Scanning time	250 - 2250 ms
Dimensions	308 x 68 x 86 mm
Baseline	230.0 mm
Weight	900 g
Temperature working range	Full: 0 - 40 degrees Optimal: 22 - 25 degrees
Power	PoE or 24V
Processing unit	NVIDIA Pascal™ Architecture GPU with 256 CUDA cores
Data connection	1 Gbit Ethernet

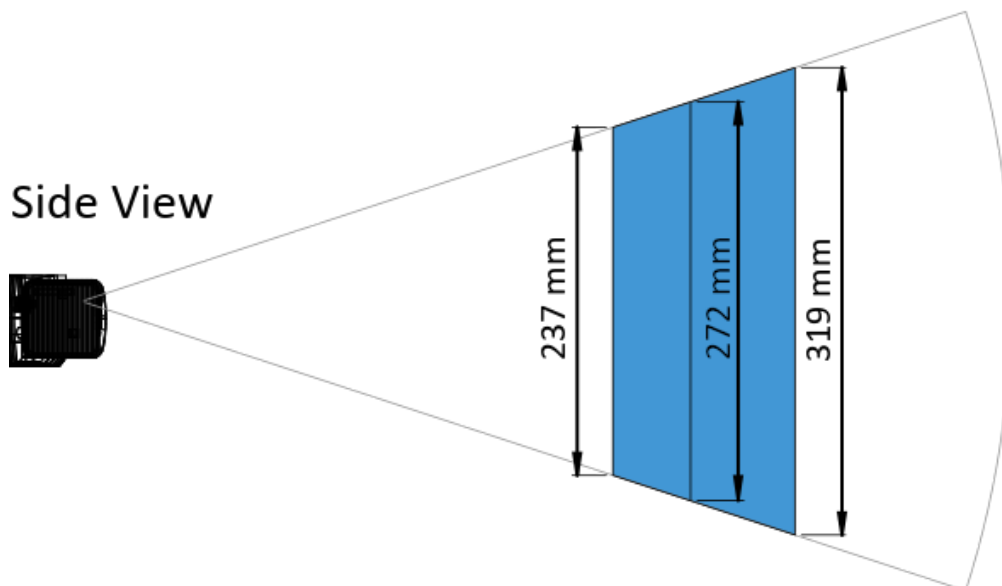
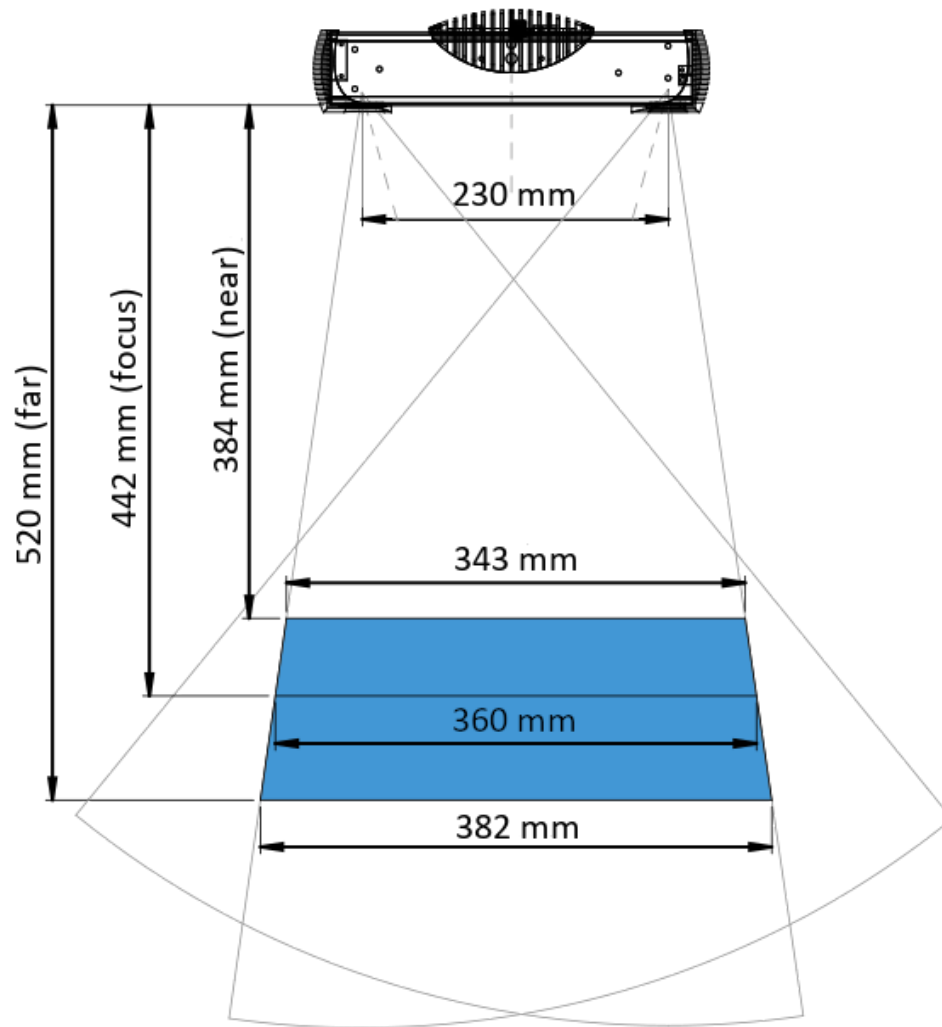
These parameters are valid at 22 °C - 25 °C at focus distance for white objects with 80% albedo.

For operation and installation instructions, please refer to the User Manual and CAD models available at: <https://photoneo.com/kb/device-resources>



PhoXi 3D Scanner S

Datasheet



Web: www.photoneo.com
 Business Inquiries: sales@photoneo.com
 Support: [Help Center](#)

Photoneo s.r.o.
 Plynárska 6
 82109 Bratislava,
 Slovakia