

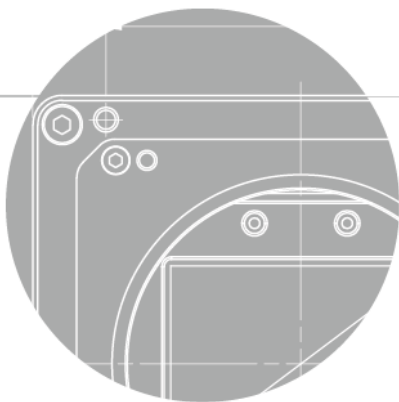
VNP series

User Manual

English

VNP-604MX-M/C6H

CoaxPress[®]



VIEWWORKS

Revision History

Revision	Date	Description
1.0	2020-05-06	Initial Release

Contents

1	Precautions	6
2	Warranty	7
3	Compliance & Certifications	7
3.1	FCC Compliance.....	7
3.2	CE: DoC.....	7
3.3	KC.....	7
4	Package Component	8
5	Product Specifications	9
5.1	Overview.....	9
5.2	Specifications.....	10
5.3	Camera Block Diagram.....	12
5.4	Spectral Response.....	13
5.4.1	Monochrome Spectral Response.....	13
5.4.2	Color Spectral Response.....	14
5.5	Mechanical Specification.....	15
6	Connecting the Camera	16
6.1	Precaution to Center the Image Sensor.....	17
6.2	Precaution about Blurring Compared to the Center.....	17
6.3	Installing Vieworks Imaging Solution.....	17
7	Camera Interface	18
7.1	General Description.....	18
7.2	CoaXPress Connector.....	19
7.2.1	CoaXPress Connector (75 Ω DIN 1.0/2.3 Receptacle).....	19
7.3	Power Input Receptacle.....	20
7.4	Control I/O Receptacle.....	21
7.5	Trigger Input Circuit.....	22
7.6	Strobe Output Circuit.....	22
8	Acquisition Control	23
8.1	Overview.....	23
8.2	Acquisition Start/Stop Commands and Acquisition Mode.....	26

8.3	Exposure Start Trigger	27
8.3.1	Trigger Mode	27
8.3.2	Using a Software Trigger Signal.....	30
8.3.3	Using a CoaXPress Trigger Signal.....	31
8.3.4	Using an External Trigger Signal.....	32
8.3.5	Exposure Mode	34
8.4	Setting the Exposure Time	36
8.5	Overlapping Exposure with Sensor Readout	37
8.5.1	Overlapped	37
8.5.2	Non-overlapped.....	38
8.6	Rolling Shutter	39
8.7	Maximum Allowed Frame Rate	41
8.7.1	Increasing the Maximum Allowed Frame Rate.....	41
9	Camera Features	42
9.1	Image Region of Interest.....	42
9.2	CXP Link Configuration.....	45
9.3	Pixel Format.....	46
9.4	Data ROI (Color Camera)	47
9.5	White Balance (Color Camera).....	48
9.5.1	Balance White Auto	48
9.6	Gain and Black Level	49
9.7	Hot Pixel Correction	49
9.8	Dynamic Defective Pixel Correction.....	50
9.9	Defective Pixel Correction.....	51
9.9.1	Correction Method	51
9.10	Flat Field Correction.....	52
9.10.1	Flat Field Data Selector.....	55
9.11	Pixel Shifting	56
9.11.1	Pixel Shifting and True Color Resolution.....	57
9.11.2	Sequence Mode	59
9.12	Digital I/O Control.....	65
9.12.1	Strobe	67
9.12.2	Debounce	68
9.13	Timer Control	69
9.14	Cooling Control	71
9.15	Temperature Monitor	72

9.16 Status LED.....	72
9.17 Test Pattern.....	73
9.18 Reverse X.....	75
9.19 Device User ID.....	76
9.20 Device Reset.....	76
9.21 Field Upgrade	76
9.22 User Set Control	77
9.23 Sequencer Control.....	79
10 Troubleshooting	82
Appendix A Defective Pixel Map Download	83
Appendix B Field Upgrade	85
Appendix C Position settings according to sequence modes.....	86

1 Precautions

General



- Do not drop, disassemble, repair or alter the device. Doing so may damage the camera electronics and cause an electric shock.
- Do not let children touch the device without supervision.
- Stop using the device and contact the nearest dealer or manufacturer for technical assistance if liquid such as water, drinks or chemicals gets into the device.
- Do not touch the device with wet hands. Doing so may cause an electric shock.
- Make sure that the temperature of the camera does not exceed the temperature range specified in [5.2 Specifications](#). Otherwise the device may be damaged by extreme temperatures.

Installation and Maintenance



- Do not install in dusty or dirty areas - or near an air conditioner or heater to reduce the risk of damage to the device.
- Avoid installing and operating in an extreme environment where vibration, heat, humidity, dust, strong magnetic fields, explosive/corrosive mists or gases are present.
- Do not apply excessive vibration and shock to the device. This may damage the device.
- Avoid direct exposure to a high intensity light source. This may damage the image sensor.
- Do not install the device under unstable lighting conditions. Severe lighting change will affect the quality of the image produced by the device.
- Do not use solvents or thinners to clean the surface of the device. This can damage the surface finish.

Power Supply



- Applying incorrect power can damage the camera. If the voltage applied to the camera is greater or less than the camera's nominal voltage, the camera may be damaged or operate erratically. Please refer to [5.2 Specifications](#) for the camera's nominal voltage.
 - ※ Vieworks Co., Ltd. does NOT provide power supplies with the device.
- Make sure the power is turned off before connecting the power cord to the camera. Otherwise damage to the camera may result.

2 Warranty

Do not open the housing of the camera. The warranty becomes void if the housing is opened.

For information about the warranty, please contact your local dealer or factory representative.

3 Compliance & Certifications

3.1 FCC Compliance

This equipment has been tested and found to comply with the limits for a Class A digital device, pursuant to part 15 of the FCC Rules. These limits are designed to provide reasonable protection against harmful interference when the equipment is operated in a commercial environment. This equipment generates, uses, and can radiate radio frequency energy and, if not installed and used in accordance with the instruction manual, may cause harmful interference to radio communications. Operation of this equipment in a residential area is likely to cause harmful interference in which case the user will be required to correct the interference at his own expenses.

3.2 CE: DoC

EMC Directive 2014/30/EU

EN 55032:2012 (Class A), EN 55024:2010

Class A

3.3 KC

KCC Statement

Type	Description
Class A (Broadcasting Communication Device for Office Use)	This device obtained EMC registration for office use (Class A), and may be used in places other than home. Sellers and/or users need to take note of this.

4 Package Component

Package Component



VNP-604MX <M72-mount>

5 Product Specifications

5.1 Overview

The VNP-604MX-6 H, is a pixel shifting camera equipped with thermo-electric Peltier (TEC) cooled, is designed not only for applications where extremely high resolution is required but also where high quality image is essential. The TEC maintains the operating temperature of the image sensor at up to $15\pm 2^{\circ}\text{C}$ below ambient temperature to reduce noise significantly. Pixel shifting technology based on a precise piezoelectric stage allows image captures as high as 604 million pixels at 1.5 fps. The CoaXPress interface adopted by this camera supports transmitting image data at up to 25 Gbps using four coaxial cables. This new camera delivers unique and unparalleled performance in the most demanding applications such as FPD, PCB and semiconductor inspections.

Main Features

- High Speed 151 Megapixel CMOS Image Sensor
- Nano Stage Pixel Shifting Mechanism
- Extended Resolutions up to 1,359 MP (9 Shot Mode)
- Thermoelectric Peltier Cooling – about $15\pm 2^{\circ}\text{C}$ below ambient temperature
- Minimizing the number of hot pixels with TEC
- Electronic Exposure Time Control (Rolling Shutter)
- Output Pixel Format: 8 / 10 / 12 bit
- Strobe Output
- Dynamic Defective Pixel Correction
- Output Channel: CXP × 4ch
- CoaXPress Interface up to 25 Gbps using 4 coax cables
- Gain / Black Level Control
- Test Pattern
- Temperature Monitor
- Field Upgrade
- DSNU and PRNU Correction
- Flat Field Correction with Sequencer Control
- Hot Pixel Correction
- GenICam Compatible – XML based Control
- VNP-604MX Feature Bar



5.2 Specifications

The technical specifications of the VNP-604MX-6 H cameras are as follows.

Specifications		VNP-604MX-M/C 6 H
Active Image (H × V)	1× (1 Shot)	14192 × 10640
	4× (4 Shot)	28384 × 21280
Sensor		Sony IMX411
Sensor Type		Back-Illuminated CMOS Image Sensor
Sensor Size (Diagonal)		53.36 mm × 40.01 mm (66.7 mm)
Pixel size		3.76 μm × 3.76 μm
Interface		CoaXPress
Electronic Shutter		Rolling Shutter
Max. Frame Rate @ 25 Gbps (Overlapped)	151 MP	6.2 fps
	604 MP	1.5 fps
Pixel Data Format	Mono	Mono 8 / Mono 10 / Mono 12
	Color	RG Bayer 8 / RG Bayer 10 / RG Bayer 12
Exposure Time		1 μs ~ 60 s (1 μs step)
Partial Scan (Max. Speed)		546.4 fps at 2 Lines (12 bit)
Black Level Control		0 ~ 255 LSB at 12 bit
Gain Control		1× ~ 32×
Trigger Synchronization	Overlapped	Free-Run
	Non-overlapped	Hardware Trigger, Software Trigger or CXP
External Trigger		3.3 V ~ 24.0 V Logical level input, Optically isolated
Software Trigger		Asynchronous, Programmable via Camera API
Dynamic Range		78 dB
Shift Range		0 ~ 15 μm, 1 nm step
Shift Resolution		0.001 μm
Shift Control		Manual Mode or Sequence Mode (4/9 Shot Mono, 4/16/36 Shot Color)
Shift Latency		< 5 ms
Cooling Method		Thermoelectric Peltier Cooling
Cooling Performance		15±2°C below ambient temperature – Standard cooling with a fan

Table 5.1 Specifications of VNP-604MX-6 H (continuous)

Specifications		VNP-604MX-M/C 6 H
Lens Mount		M72-mount
Power	External	11 ~ 24 V DC
	Dissipation	Typ. 31.0 W
Environmental		Operating: 0 ~ 40°C, Storage: -40°C ~ 70°C
Dimension / Weight		110 mm × 110 mm × 134 mm, 2.5 kg (with M72-mount)
API SDK		Vieworks Imaging Solution 7.X

Table 5.2 Specifications of VNP-604MX-6 H

5.3 Camera Block Diagram

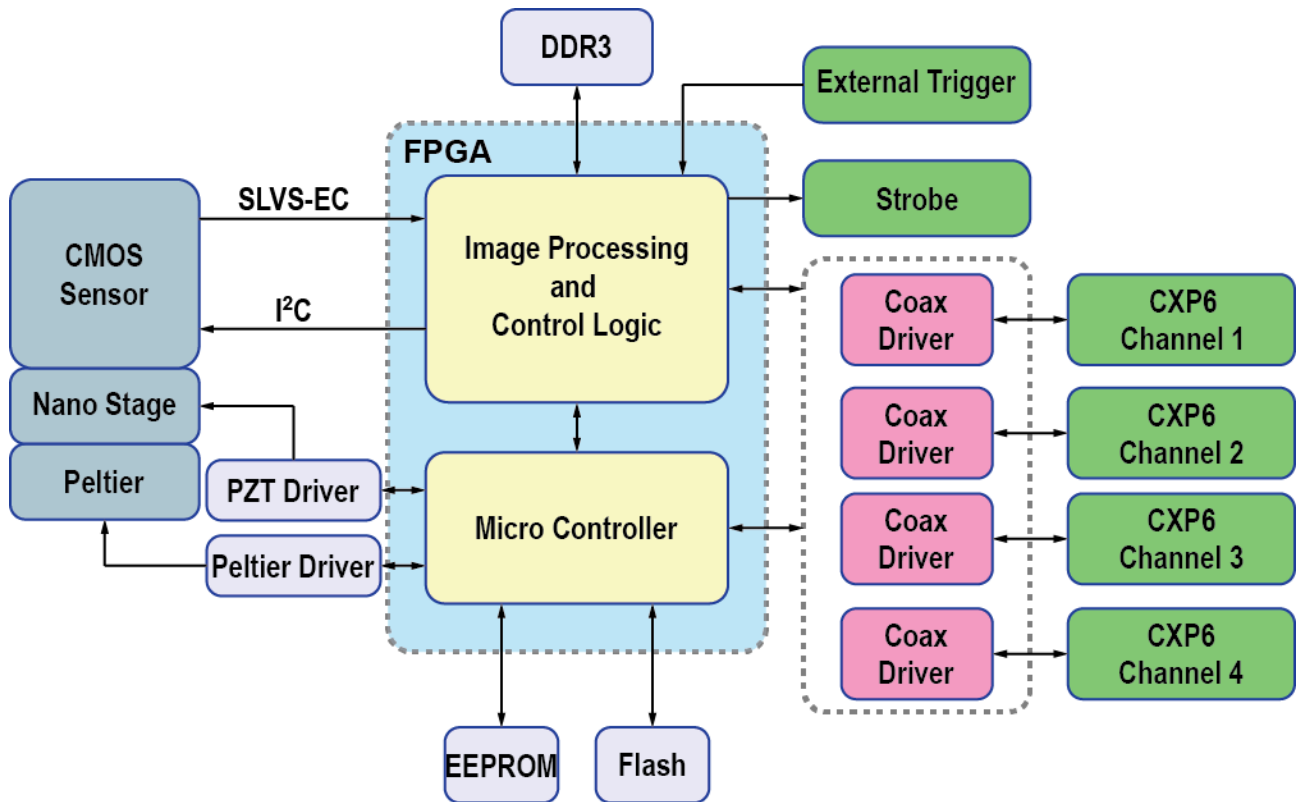


Figure 5.1 Camera Block Diagram

All controls and data processing of the VNP-604MX camera are carried out in one FPGA chip. The FPGA generally consists of a 32-bit RISC Micro-Controller and Processing & Control logic. The Micro-Controller receives commands from the user through the CoaXPress interface and then processes them. The Processing & Control logic processes the image data received from the CMOS image sensor and then transmits data through the CoaXPress interface. The Processing & Control logic also controls the trigger inputs and strobe outputs which are sensitive to time. Furthermore, Flash and DDR3 are installed outside FPGA. The DDR3 is used for the frame buffer to process images and the Flash stores the firmware to operate the Micro-Controller. The PZT Driver is applied to control the XY Stage in nanometers and the Peltier Driver is applied to control the Thermoelectric Peltier Cooling unit.

5.4 Spectral Response

5.4.1 Monochrome Spectral Response

The following graph shows the spectral response of the VNP-604MX monochrome camera.

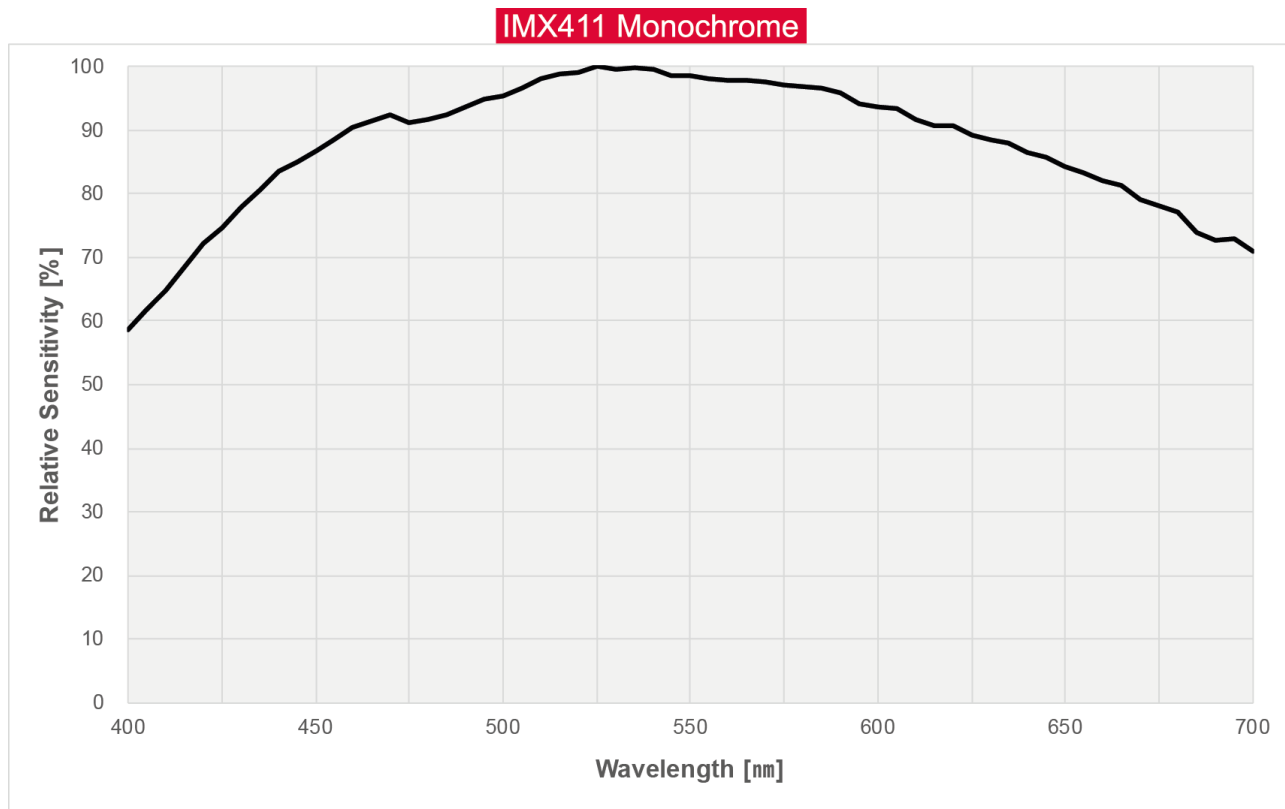


Figure 5.2 VNP-604MX-M6 Spectral Response

5.4.2 Color Spectral Response

The following graph shows the spectral response of the VNP-604MX color camera.

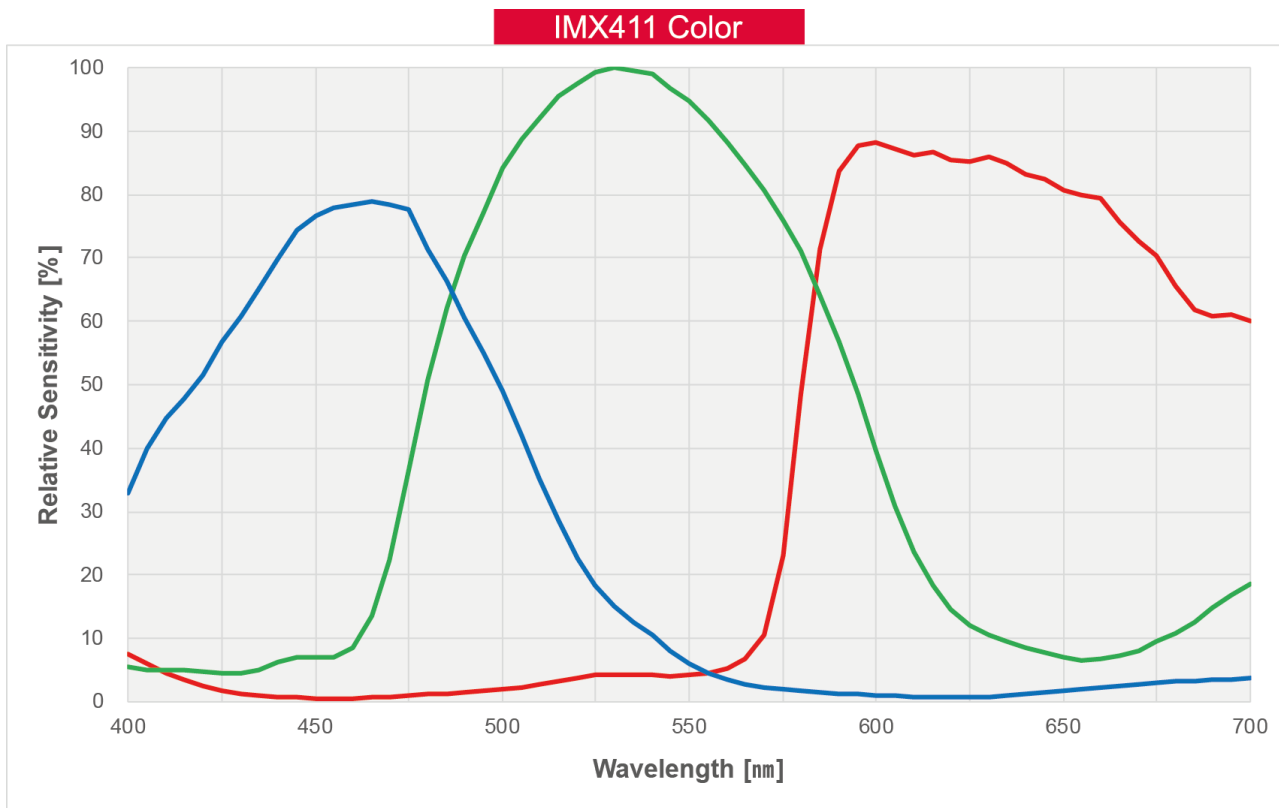


Figure 5.3 VNP-604MX-C6 Spectral Response

5.5 Mechanical Specification

The camera dimensions in millimeters are shown in the following figures.

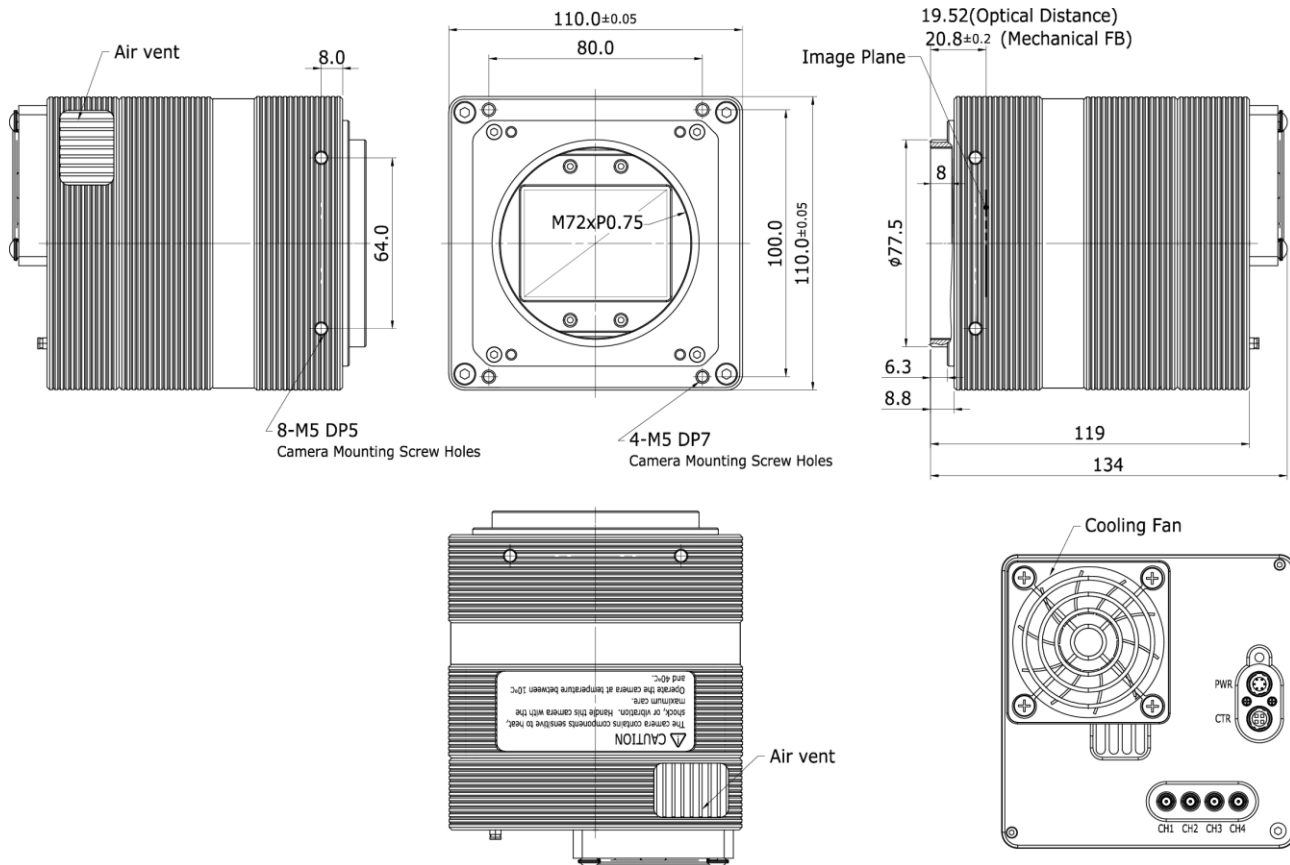


Figure 5.4 Mechanical Dimension for VNP-604MX-6 M72-mount

6 Connecting the Camera

The following instructions assume that you have installed a CoaXPress Frame Grabber (hereinafter 'CXP Frame Grabber') in your computer including related software. Procedures below also assume that you may attempt to configure a link between a camera and CXP Frame Grabber by using four coax cables. For more detailed information, refer to your CXP Frame Grabber User Manual.

To connect the camera to your computer, follow the steps below:

1. Make sure that the power supply is not connected to the camera and your computer is turned off.
2. Plug one end of a coax cable into the CH1 of the CXP connector on the camera and the other end of the coax cable into the CH1 of the CXP Frame Grabber in your computer. Then, plug ends of the other three coax cables into CH2, CH3 and CH4 of the CXP connector on the camera and the other ends of the coax cables into the CH2, CH3 and CH4 of the CXP Frame Grabber respectively.
3. Connect the plug of the power adapter to the 6-pin power input receptacle on the camera.
4. Plug the power adapter into a working electrical outlet.
5. Verify all the cable connections are secure.



- You must connect the CH1, CH2, CH3 and CH4 of the CXP connectors on the camera to their respective connectors on the CXP Frame Grabber using four coax cables.
- The VNP-604MX camera does not support Power over CoaXPress (PoCXP).

6.1 Precaution to Center the Image Sensor

- Users do not need to center the image sensor as it is adjusted as factory default settings.
- When you need to adjust the center of the image sensor, please contact your local dealer or the manufacturer for technical assistance.

6.2 Precaution about Blurring Compared to the Center

- Users do not need to adjust the tilt as it is adjusted as factory default settings.
- If the tilt settings need to be adjusted inevitably, please contact your local dealer or factory representative for technical support.

6.3 Installing Vieworks Imaging Solution

You can download the Vieworks Imaging Solution at <http://www.vieworks.com>. You should perform the software installation first and then the hardware installation.

7 Camera Interface

7.1 General Description

As shown in the following figure, four types of connectors and an LED indicator are located on the back of the camera and have the functions as follows:

- ① Status LED: displays power status and operation mode.
- ② 6 pin Power Input Receptacle: supplies power to the camera.
- ③ 4 pin Control I/O Receptacle: inputs external trigger signals and outputs strobe signals.
- ④ CoaXPress Connector: transmits video data and controls the camera.

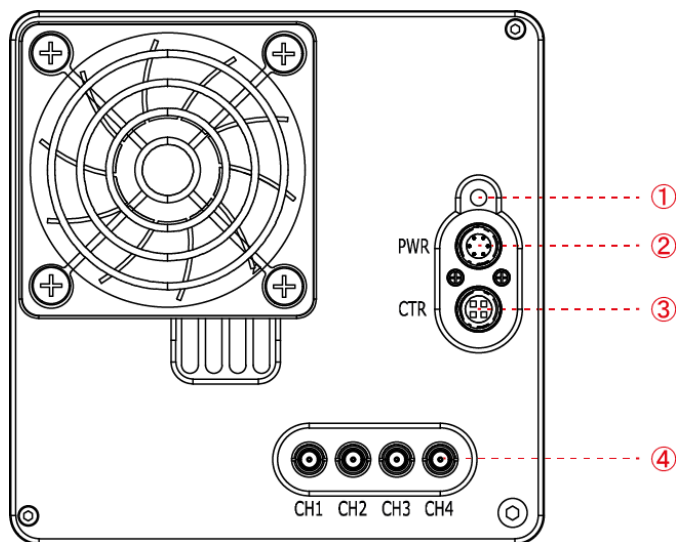


Figure 7.1 VNP-604MX with DIN 1.0/2.3-type Connectors

7.2 CoaXPress Connector

CoaXPress protocol includes an automatic link detection mechanism (Plug and Play) to correctly detect the camera to the CXP Frame Grabber connection. The connection between the camera and CXP Frame Grabber uses a coax (also known as 'coaxial') cable and provides up to 6.25 Gbps bit rate per cable.

7.2.1 CoaXPress Connector (75 Ω DIN 1.0/2.3 Receptacle)

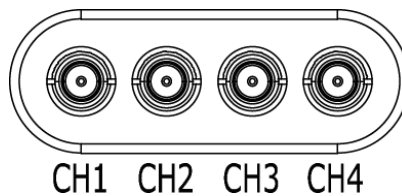


Figure 7.2 CoaXPress DIN 1.0/2.3-type Connectors

The CoaXPress connectors on the VNP-604MX camera comply with the CoaXPress standard and the following table shows the channel assignments.

Channel	Max. Bit Rate per Coax	Type
CH1	6.25 Gbps	Master Connection
CH2	6.25 Gbps	Extension Connection
CH3	6.25 Gbps	Extension Connection
CH4	6.25 Gbps	Extension Connection

Table 7.1 Channel Assignments for CoaXPress Connectors



When you connect a camera to a CXP Frame Grabber using coax cables, make sure to connect the cables to their correct channels. If you connect the CH1 of the CXP connector on the camera to a channel other than CH1 of the CXP Frame Grabber, the camera may not transmit images properly or the communication between the computer and camera may fail.

7.3 Power Input Receptacle

The power input receptacle is a Hirose 6 pin connector (part # HR10A-7R-6PB). The pin assignments and configurations are as follows:

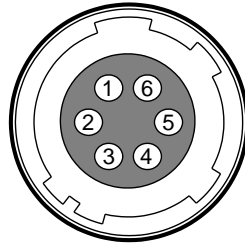


Figure 7.3 Pin Assignments for Power Input Receptacle

Pin Number	Signal	Type	Description
1, 2, 3	+12V DC	Input	DC Power Input
4, 5, 6	DC Ground	Input	DC Ground

Table 7.2 Pin Configurations for Power Input Receptacle



- A recommended mating connector for the Hirose 6 pin connector is the Hirose 6 pin plug (part # HR10A-7P-6S) or the equivalent.
- It is recommended that you use the power adapter, which has at least 5 A current output at 11 ~ 24 V voltage output (You need to purchase a power adapter separately.).

Precaution for Power Input



- Make sure the power is turned off before connecting the power cord to the camera. Otherwise, damage to the camera may result.
- If the voltage applied to the camera is greater than specified in the specifications, damage to the camera may result.

7.4 Control I/O Receptacle

The Control I/O Receptacle is a Hirose 4 pin connector (part # HR10A-7R-4S) and consists of an external trigger signal input and strobe output ports. The pin assignments and configurations are as follows:

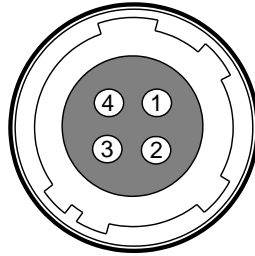


Figure 7.4 Pin Assignments for Control I/O Receptacle

Pin Number	Signal	Type	Description
1	Trigger Input +	Input	3.3 V ~ 5.0 V TTL input
2	Trigger Input -	Input	-
3	DC Ground	-	DC Ground
4	Line1 Output	Output	3.3 V TTL Output Output resistance: 47 Ω

Table 7.3 Pin Configurations for Control I/O Receptacle



A recommended mating connector for the Hirose 4 pin connector is the Hirose 4 pin plug (part # HR10A-7P-4P) or the equivalent.

7.5 Trigger Input Circuit

The following figure shows trigger signal input circuit of the 4 pin connector. Transmitted trigger signal is applied to the internal circuit through a photo coupler. With the Debounce feature, you can specify the width of input signal to be considered as a valid input signal. An external trigger circuit example is shown below.

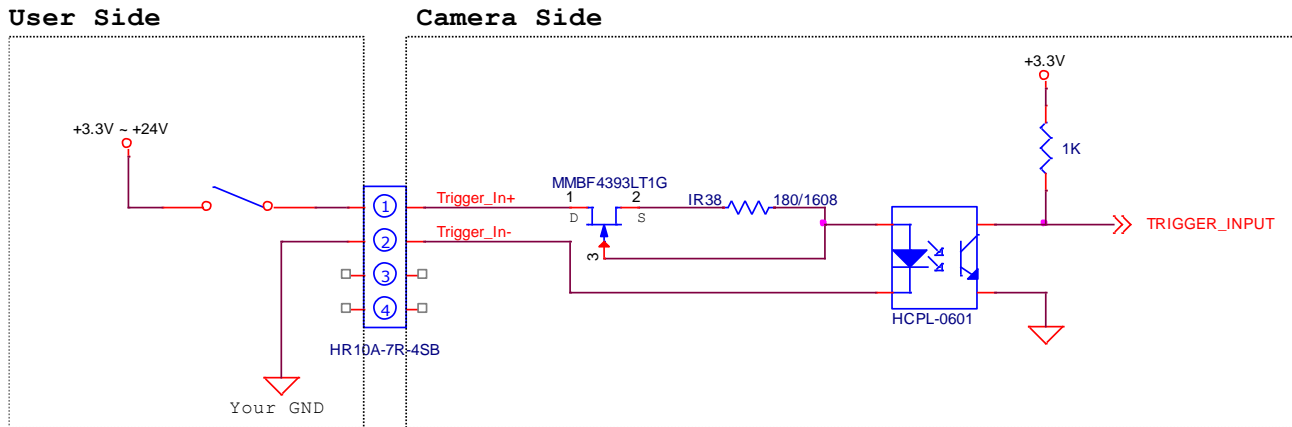


Figure 7.5 Trigger Input Schematic

7.6 Strobe Output Circuit

The strobe output signal comes out through a 3.3 V output level of TTL Driver IC. A pulse width of signal is synchronized with an exposure (shutter) signal of the camera.

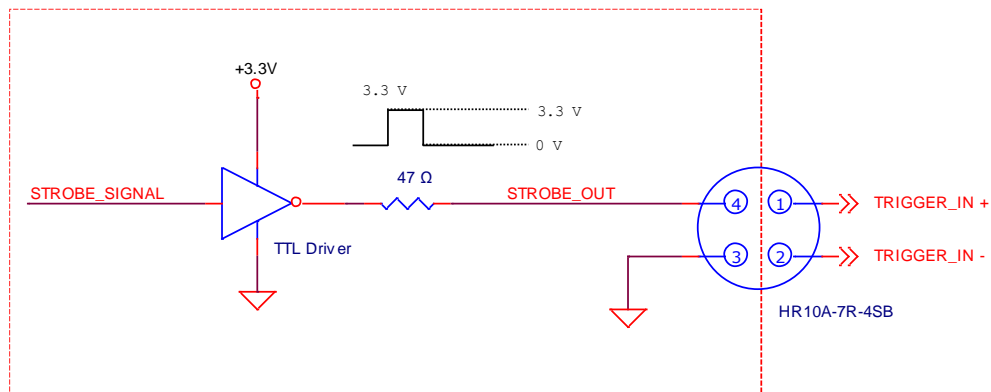


Figure 7.6 Strobe Output Schematic

8 Acquisition Control

This chapter provides detailed information about controlling image acquisition.

- Triggering image acquisition
- Setting the exposure time
- Controlling the camera's image acquisition rate
- Variation of the camera's maximum allowed image acquisition rate according to the camera settings

8.1 Overview

This section presents an overview of the elements involved with controlling the acquisition of images.

Three major elements are involved in controlling the acquisition of images:

- **Acquisition Start** and **Acquisition Stop** commands and **Acquisition Mode** parameter
- Exposure start trigger
- Exposure time control



When reading the explanations in the overview and in this entire chapter, keep in mind that the term **frame** is typically used to mean a single acquired image.

Acquisition Start and Stop Commands and Acquisition Mode

The **Acquisition Start** command prepares the camera to acquire frames. The camera cannot acquire frames unless an **Acquisition Start** command has first been executed.

A parameter called the **Acquisition Mode** has a direct bearing on how the **Acquisition Start** command operates. The VNP-604MX camera only supports **Continuous** for the **Acquisition Mode** parameter. If the **Acquisition Mode** parameter is set to **Continuous**, an **Acquisition Start** command does not expire after a single frame is acquired. Once an **Acquisition Start** command has been executed, you can acquire as many frames as you like. The **Acquisition Start** command will remain in effect until you execute an **Acquisition Stop** command. Once an **Acquisition Stop** command has been executed, the camera will not be able to acquire frames until a new **Acquisition Start** command is executed.

Exposure Start Trigger

Applying an exposure start trigger signal to the camera will exit the camera from the *waiting for exposure start trigger* acquisition status and will begin the process of exposing and reading out a frame (see Figure 8.1).

As soon as the camera is ready to accept another exposure start trigger signal, it will return to the *waiting for exposure start trigger* acquisition status. A new exposure start trigger signal can then be applied to the camera to begin another frame exposure. The exposure start trigger has two modes: off and on.

If the **Trigger Mode** parameter is set to **Off**, the camera will generate all required exposure start trigger signals internally, and you do not need to apply exposure start trigger signals to the camera. The rate at which the camera will generate the signals and acquire frames will be determined by the way that you set several frame rate related parameters.

If the **Trigger Mode** parameter is set to **On**, you must trigger exposure start by applying exposure start trigger signals to the camera. Each time a trigger signal is applied, the camera will begin a frame exposure. When exposure start is being triggered in this manner, it is important that you do not attempt to trigger frames at a rate that is greater than the maximum allowed (There is a detailed explanation about the maximum allowed frame rate at the end of this chapter.). Exposure start trigger signals applied to the camera when it is not in a *waiting for exposure start trigger* acquisition status will be ignored.

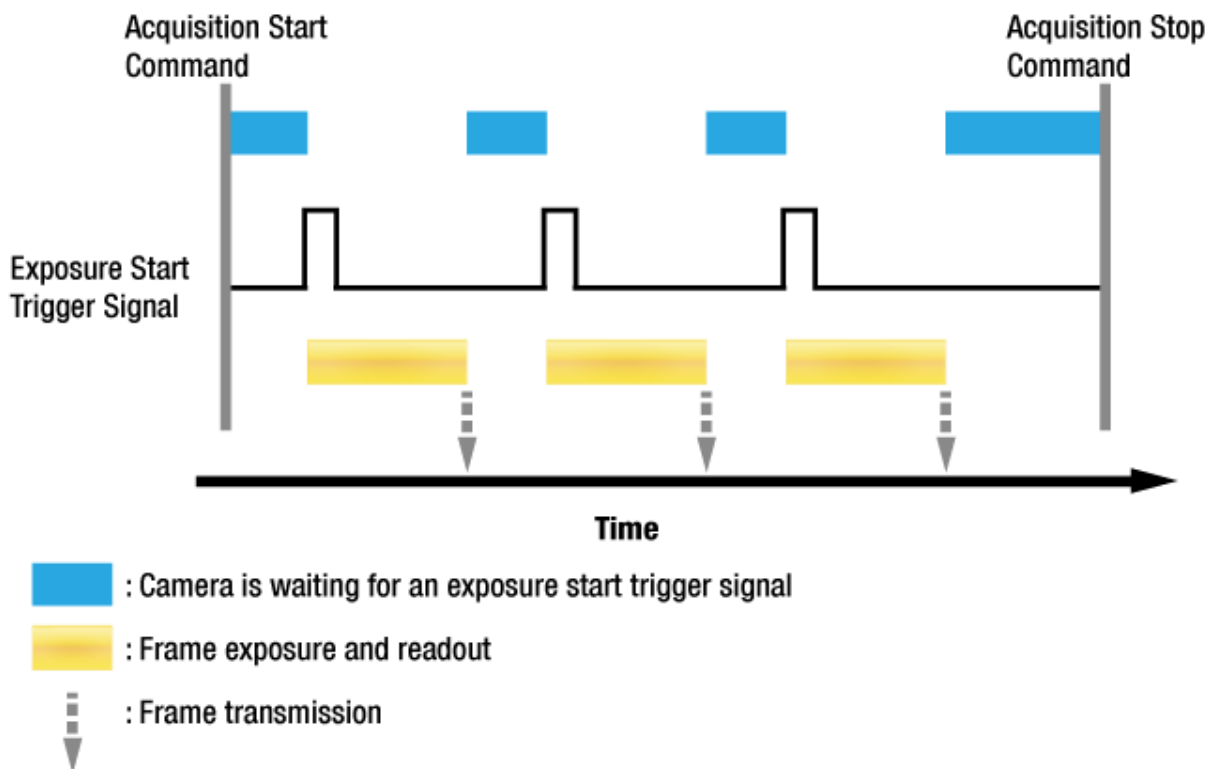


Figure 8.1 Exposure Start Triggering

Applying Trigger Signals

The paragraphs above mention “applying a trigger signal”. There are four ways to apply an exposure start trigger signal to the camera: via **Software**, via **User Output0**, via **CXPin** or via **Line0** (commonly referred to a hardware).

To apply trigger signals via **Software**, you must set the **Trigger Source** parameter to **Software**. At that point, each time a **Trigger Software** command is executed, the exposure start trigger signal will be applied to the camera.

To apply trigger signals via **User Output0**, you must set the **Trigger Source** parameter to **User Output0**. At that point, you can apply an exposure start trigger signal to the camera by switching the **User Output Value** parameter between **On** (rise) and **Off** (fall).

To apply trigger signals via CH1 of the CXP Frame Grabber, you must set the **Trigger Source** parameter to **CXPin**. At that point, each time a proper CoaXPress trigger signal is applied to the camera by using the APIs provided by a CXP Frame Grabber manufacturer, the exposure start trigger signal will be applied to the camera. For more information, refer to your CXP Frame Grabber User Manual.

To apply trigger signals via hardware (external), you must set the **Trigger Source** parameter to **Line0**. At that point, each time a proper electrical signal is applied to the camera, an occurrence of the exposure start trigger signal will be recognized by the camera.

Exposure Time Control

When an exposure start trigger signal is applied to the camera, the camera will begin to acquire a frame.

A critical aspect of frame acquisition is how long the pixels in the camera’s sensor will be exposed to light during the frame acquisition.

If the **Trigger Source** parameter is set to **Software**, the **Exposure Time** parameter will determine the exposure time for each frame.

If the **Trigger Source** parameter is set to **User Output0**, **CXPin** or **Line0**, there are two modes of operation: **Timed** and **Trigger Width**.

With the **Timed** mode, the **Exposure Time** parameter will determine the exposure time for each frame.

With the **Trigger Width** mode, the way that you manipulate the rise and fall of the User Output, CoaXPress or hardware (external) signal will determine the exposure time. The **Trigger Width** mode is especially useful if you want to change the exposure time from frame to frame.

8.2 Acquisition Start/Stop Commands and Acquisition Mode

Executing an **Acquisition Start** command prepares the camera to acquire frames. You must execute an **Acquisition Start** command before you can begin acquiring frames.

Executing an **Acquisition Stop** command terminates the camera's ability to acquire frames.

When the camera receives an **Acquisition Stop** command:

- If the camera is not in the process of acquiring a frame, its ability to acquire frames will be terminated immediately.
- If the camera is in the process of acquiring a frame, the frame acquisition process will be allowed to finish and the camera's ability to acquire new frames will be terminated.



When you execute the **Acquisition Start** command while the previous frame acquisition process is still in progress, the command will be ignored. To avoid this, you must wait a minimum readout time (refer to [Table 8.2 Readout Time](#)) after the execution of the **Acquisition Stop** command. Then, you can safely execute the **Acquisition Start** command again.

The VNP-604MX camera only provides the **Continuous** mode of operation for the **Acquisition Mode**.

After an **Acquisition Start** command has been executed, exposure start can be triggered as desired. Each time an exposure start trigger is applied while the camera is in a *waiting for exposure start trigger* acquisition status, the camera will acquire and transmit a frame. The camera will retain the ability to acquire frames until an **Acquisition Stop** command is executed. Once the **Acquisition Stop** command is received, the camera will no longer be able to acquire frames.

8.3 Exposure Start Trigger

The **Trigger Selector** parameter is used to select a type of trigger and only the Exposure Start trigger is available on the VNP-604MX camera. The Exposure Start trigger is used to begin frame acquisition. Exposure start trigger signals can be generated within the camera or may be applied externally by setting the **Trigger Source** parameter to **Software**, **User Output0**, **CXPIn** or **Line0**. If an exposure start trigger signal is applied to the camera, the camera will begin to expose a frame.

8.3.1 Trigger Mode

The main parameter associated with the exposure start trigger is the **Trigger Mode** parameter.

The **Trigger Mode** parameter for the exposure start trigger has two available settings: **Off** and **On**.

8.3.1.1 Trigger Mode = Off

When the **Trigger Mode** parameter is set to **Off**, the camera will generate all required exposure start trigger signals internally, and you do not need to apply exposure start trigger signals to the camera.

If the **Trigger Mode** parameter is set to **Off**, the camera will automatically begin generating exposure start trigger signals when it receives an **Acquisition Start** command. The camera will continue to generate exposure start trigger signals until it receives an **Acquisition Stop** command.



Free Run

When you set the **Trigger Mode** parameter to **Off**, the camera will generate all required trigger signals internally. When the camera is set this way, it will constantly acquire images without any need for triggering by the user. This use case commonly referred as “free run”.

The rate at which the exposure start trigger signals are generated may be determined by the camera's **Acquisition Frame Rate** parameter.

- If the parameter is set to a value less than the maximum allowed frame rate with the current camera settings, the camera will generate exposure start trigger signals at the rate specified by the parameter setting.
- If the parameter is set to a value greater than the maximum allowed frame rate with the current camera settings, the camera will generate exposure start trigger signals at the maximum allowed frame rate.

Exposure Time Control with Trigger Mode = Off

When the **Trigger Mode** parameter is set to **Off**, the exposure time for each frame acquisition is determined by the value of the camera's **Exposure Time** parameter. For more information about the Exposure Time parameter, see [8.4 Setting the Exposure Time](#).

8.3.1.2 Trigger Mode = On

When the **Trigger Mode** parameter is set to **On**, you must apply an exposure start trigger signal to the camera each time you want to begin a frame acquisition. The **Trigger Source** parameter specifies the source signal that will act as the exposure start trigger signal.

The available settings for the **Trigger Source** parameter are:

- **Software:** You can apply an exposure start trigger signal to the camera by executing a **Trigger Software** command for the exposure start trigger on your computer.
- **User Output0:** You can apply an exposure start trigger signal to the camera by switching the **User Output Value** parameter between **On** and **Off** on your computer.
- **CXPin:** You can apply an exposure start trigger signal via CH1 of the CXP Frame Grabber. For more information, refer to your CXP Frame Grabber User Manual.
- **Line0:** You can apply an exposure start trigger signal to the camera by injecting an externally generated electrical signal (commonly referred to as a hardware or external trigger signal) into the Control I/O receptacle on the camera. Refer to [7.5 Trigger Input Circuit](#) for more information.
- **Timer0Active:** You can apply an exposure start trigger signal to the camera using a user defined Timer signal. When you set the **Timer Trigger Source** parameter to **Line0** in the **Counter And Timer Control** category, you can specify a delay for the Line0 signal by using the **Timer Delay** parameter. For more information, refer to [9.13 Timer Control](#).

You must also set the **Trigger Activation** parameter after setting the **Trigger Source** parameter.

The available settings for the **Trigger Activation** parameter are:

- **Falling Edge:** Specifies that a falling edge of the electrical signal will act as the exposure start trigger.
- **Rising Edge:** Specifies that a rising edge of the electrical signal will act as the exposure start trigger.

Exposure Time Control with Trigger Mode = On

When the **Trigger Mode** parameter is set to **On** and the **Trigger Source** parameter is set to **Software**, the exposure time for each frame acquisition is determined by the value of the camera's **Exposure Time** parameter.

When the **Trigger Mode** parameter is set to **On** and the **Trigger Source** parameter is set to **CXPIn** or **Line0**, the exposure time for each frame acquisition will be determined by the **Exposure Mode** parameter settings as follows:

- **Exposure Mode = Timed:** Exposure time can be controlled with the **Exposure Time** parameter.
- **Exposure Mode = Trigger Width:** Exposure time can be controlled by manipulating the external trigger signal.

When the **Trigger Mode** parameter is set to **On** and the **Trigger Source** parameter is set to **User Output0**, the exposure time for each frame acquisition will be determined by the **Exposure Mode** parameter settings as follows:

- **Exposure Mode = Timed:** Exposure time can be controlled with the **Exposure Time** parameter.
- **Exposure Mode = Trigger Width:** Exposure time can be controlled by switching the **User Output Value** parameter between **On** and **Off**.

8.3.2 Using a Software Trigger Signal

If the **Trigger Mode** parameter is set to **On** and the **Trigger Source** parameter is set to **Software**, you must apply a software trigger signal (exposure start) to the camera to begin each frame acquisition. Assuming that the camera is in a *waiting for exposure start trigger* acquisition status, frame exposure will start when the software trigger signal is received by the camera. Figure 8.2 illustrates frame acquisition with a software trigger signal. When the camera receives a software trigger signal and begins exposure, it will exit the *waiting for exposure start trigger* acquisition status, because at that point it cannot react to a new exposure start trigger signal. As soon as the camera is capable of reacting to a new exposure start trigger signal, it will automatically return to the *waiting for exposure start trigger* acquisition status. The exposure time for each acquired frame will be determined by the value of the camera's **Exposure Time** parameter.

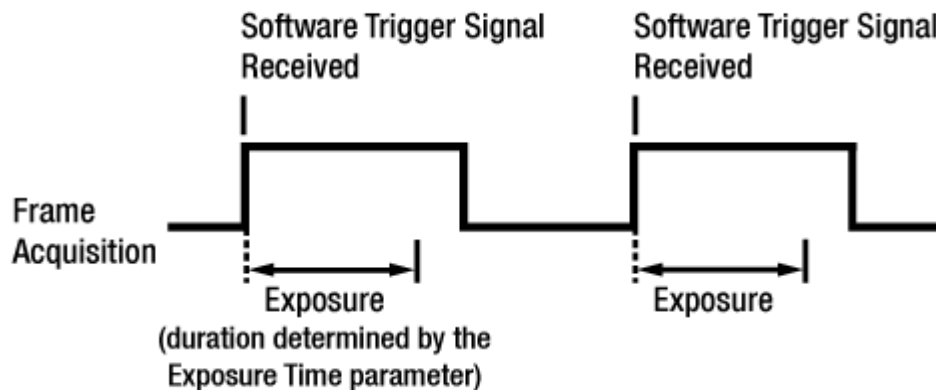


Figure 8.2 Frame Acquisition with Software Trigger Signal

When you are using a software trigger signal to start each frame acquisition, the frame rate will be determined by how often you apply a software trigger signal to the camera, and you should not attempt to trigger frame acquisition at a rate that exceeds the maximum allowed for the current camera settings (There is a detailed explanation about the maximum allowed frame rate at the end of this chapter.). Software trigger signals that are applied to the camera when it is not ready to receive them will be ignored.

8.3.3 Using a CoaXPress Trigger Signal

If the **Trigger Mode** parameter is set to **On** and the **Trigger Source** parameter is set to **CXPIn**, you must apply a CoaXPress trigger signal to the camera to begin each frame acquisition. A CoaXPress trigger signal will act as the exposure start trigger signal for the camera. For more information, refer to your CXP Frame Grabber User Manual.

A rising edge or a falling edge of the CoaXPress signal can be used to trigger frame acquisition. The **Trigger Activation** parameter is used to select rising edge or falling edge triggering.

Assuming that the camera is in a *waiting for exposure start trigger* acquisition status, frame acquisition will start whenever the appropriate edge transition is received by the camera.

When the camera receives a CoaXPress trigger signal and begins exposure, it will exit the *waiting for exposure start trigger* acquisition status, because at that point it cannot react to a new exposure start trigger signal.

As soon as the camera is capable of reacting to a new exposure start trigger signal, it will automatically return to the *waiting for exposure start trigger* acquisition status.

When the camera is operating under control of a CoaXPress signal, the period of the CoaXPress trigger signal will determine the rate at which the camera is acquiring frames:

$$\frac{1}{\text{CoaXPress signal period in seconds}} = \text{Frame Rate}$$

For example, if you are operating a camera with a CoaXPress trigger signal period of 500 ms (0.5 s):

So in this case, the frame rate is 2 fps.

8.3.4 Using an External Trigger Signal

If the **Trigger Mode** parameter is set to **On** and the **Trigger Source** parameter is set to **Line0**, an externally generated electrical signal injected into the Control I/O Receptacle will act as the exposure start trigger signal for the camera. This type of trigger signal is generally referred to as a hardware trigger signal.

A rising edge or a falling edge of the external signal can be used to trigger frame acquisition. The **Trigger Activation** parameter is used to select rising edge or falling edge triggering.

Assuming that the camera is in a *waiting for exposure start trigger* acquisition status, frame acquisition will start whenever the appropriate edge transition is received by the camera.

When the camera receives an external trigger signal and begins exposure, it will exit the *waiting for exposure start trigger* acquisition status, because at that point it cannot react to a new exposure start trigger signal.

As soon as the camera is capable of reacting to a new exposure start trigger signal, it will automatically return to the *waiting for exposure start trigger* acquisition status.

When the camera is operating under control of an external signal, the period of the external trigger signal will determine the rate at which the camera is acquiring frames:

$$\frac{1}{\text{External signal period in seconds}} = \text{Frame Rate}$$

For example, if you are operating a camera with an External trigger signal period of 500 ms (0.5 s):

So in this case, the frame rate is 2 fps.

8.3.4.1 External Trigger Delay

When you set the **Trigger Source** parameter to **Timer0Active**, you can specify a delay between the receipt of a hardware trigger signal and when the trigger becomes effective.

1. Set the **Timer Tigger Source** parameter in the **Counter And Timer Control** category to **Line0**.
2. Set the **Timer Delay** parameter to the desired Timer delay in microseconds.
3. Set the **Trigger Source** parameter in the **Acquisition Control** category to **Timer0Active**.
4. Execute the **Acquisition Start** command and inject an externally generated electrical signal into the Control I/O Receptacle. Then, the delay set by the **Timer Delay** parameter expires and the exposure for image acquisition begins.

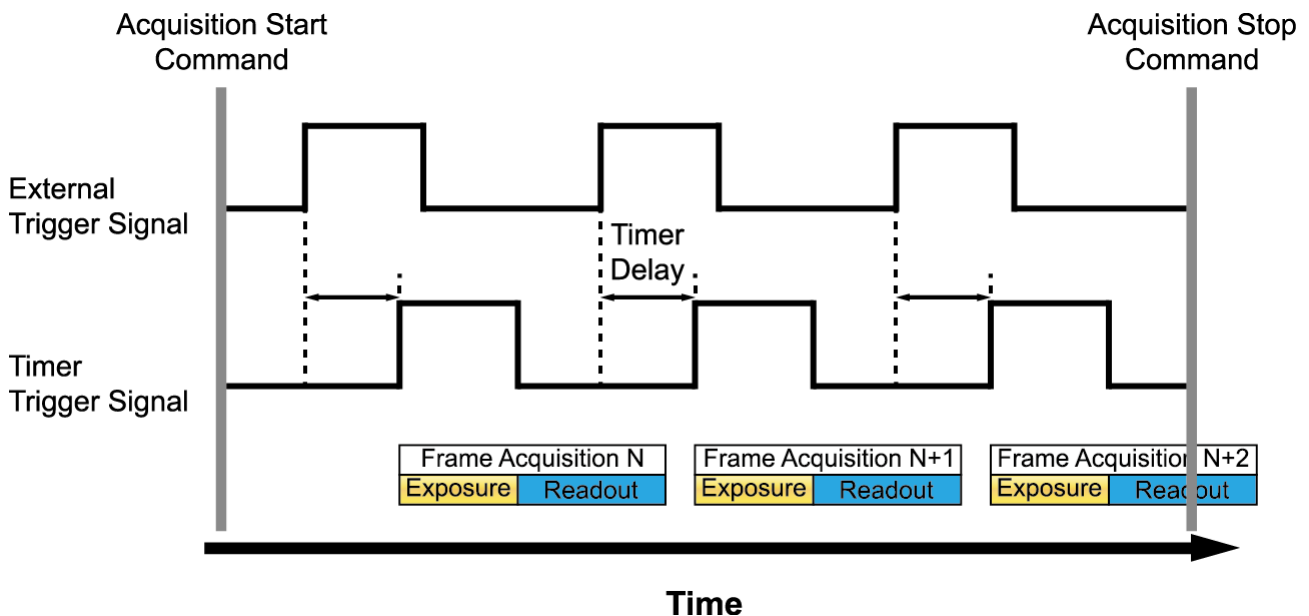


Figure 8.3 External Trigger Delay

8.3.5 Exposure Mode

If you are triggering the start of frame acquisition with an externally (CoaXPress or External) generated trigger signal, two exposure modes are available: **Timed** and **Trigger Width**.

Timed Exposure Mode

When the **Timed** mode is selected, the exposure time for each frame acquisition is determined by the value of the camera's **Exposure Time** parameter. If the camera is set for rising edge triggering, the exposure time starts when the external trigger signal rises. If the camera is set for falling edge triggering, the exposure time starts when the external trigger signal falls. The following figure illustrates **Timed** exposure with the camera set for rising edge triggering.

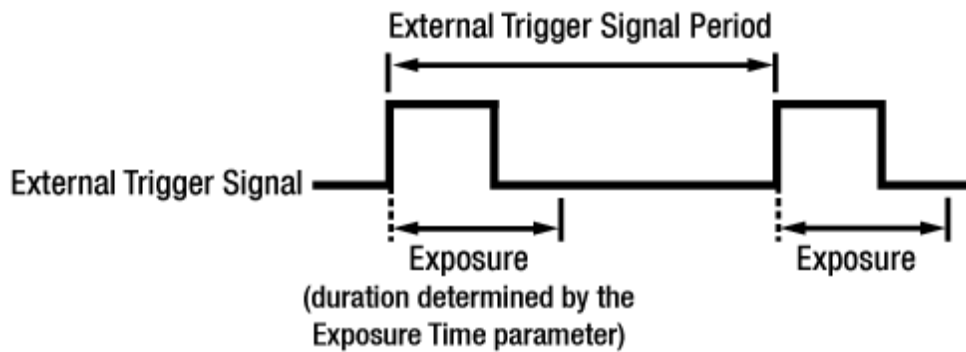


Figure 8.4 Timed Exposure Mode

Note that if you attempt to trigger a new exposure start while the previous exposure is still in progress, the trigger signal will be ignored.

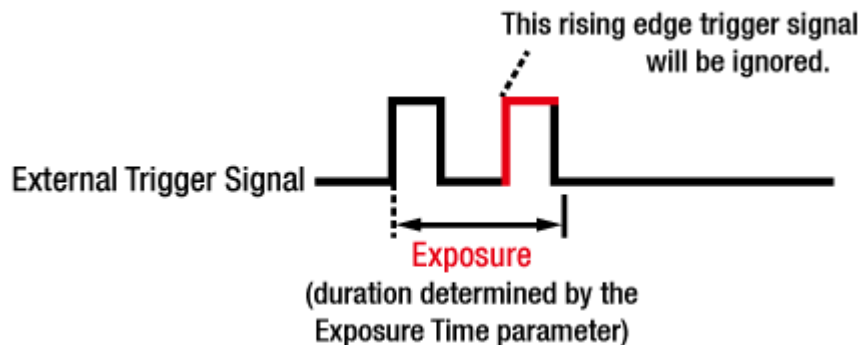


Figure 8.5 Trigger Overlapped with Timed Exposure Mode

Trigger Width Exposure Mode

When the **Trigger Width** exposure mode is selected, the length of the exposure for each frame acquisition will be directly controlled by the external trigger signal (CoaXPress or External). If the camera is set for rising edge triggering, the exposure time begins when the external trigger signal rises and continues until the external trigger signal falls. If the camera is set for falling edge triggering, the exposure time begins when the external trigger signal falls and continues until the external trigger signal rises. The following figure illustrates **Trigger Width** exposure with the camera set for rising edge triggering.

Trigger Width exposure is especially useful if you intend to vary the length of the exposure time for each frame.

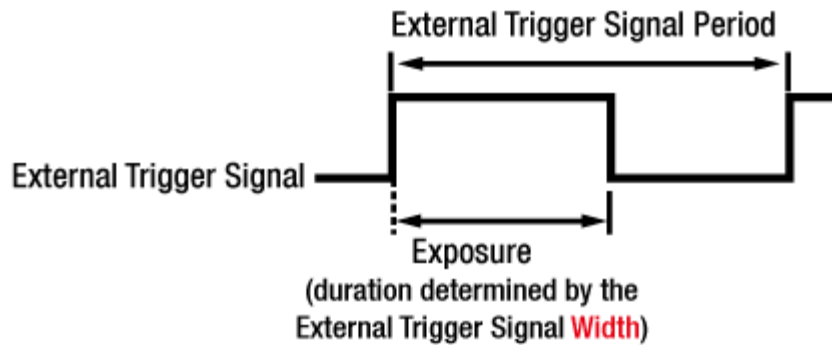


Figure 8.6 Trigger Width Exposure Mode

8.4 Setting the Exposure Time

This section describes how the exposure time can be adjusted manually by setting the value of the **Exposure Time** parameter. If you are operating the camera in any one of the following ways, you must specify an exposure time by setting the camera's **Exposure Time** parameter.

- the **Trigger Mode** is set to **Off**.
- the **Trigger Mode** is set to **On** and the **Trigger Source** is set to **Software**.
- the **Trigger Mode** is set to **On**, the **Trigger Source** is set to **CXPin** or **Line0**, and the **Exposure Mode** is set to **Timed**.

The **Exposure Time** parameter must not be set below a minimum specified value. The **Exposure Time** parameter sets the exposure time in microseconds (μs). The minimum and maximum exposure time settings for the VNP-604MX camera are shown in the following table.

Camera Model	Number of Channels	Minimum Exposure Time	Maximum Exposure Time [†]
VNP-604MX	4 Channels	1 μs	60,000,000 μs

[†]: When the **Exposure Mode** is set to **Trigger Width**, the exposure time is controlled by the external trigger signal and has no maximum limit.

Table 8.1 Minimum and Maximum Exposure Time Setting

8.5 Overlapping Exposure with Sensor Readout

The frame acquisition process on the camera includes two distinct parts. The first part is the exposure of the pixels in the image sensor. Once exposure is complete, the second part of the process – readout of the pixel values from the sensor – takes place. In regard to this frame acquisition process, the VNP-604MX camera can be operated in the Overlapped acquisition mode or the Non-overlapped acquisition mode.

8.5.1 Overlapped

When the **Trigger Mode** parameter is set to **Off** (Free-run mode), the camera operates with ‘overlapped’ acquisition so that the exposure for a new frame can be overlapped with the sensor readout for the previous frame. The exposure of a new frame begins while the camera is still reading out the sensor data for the previously acquired frame.

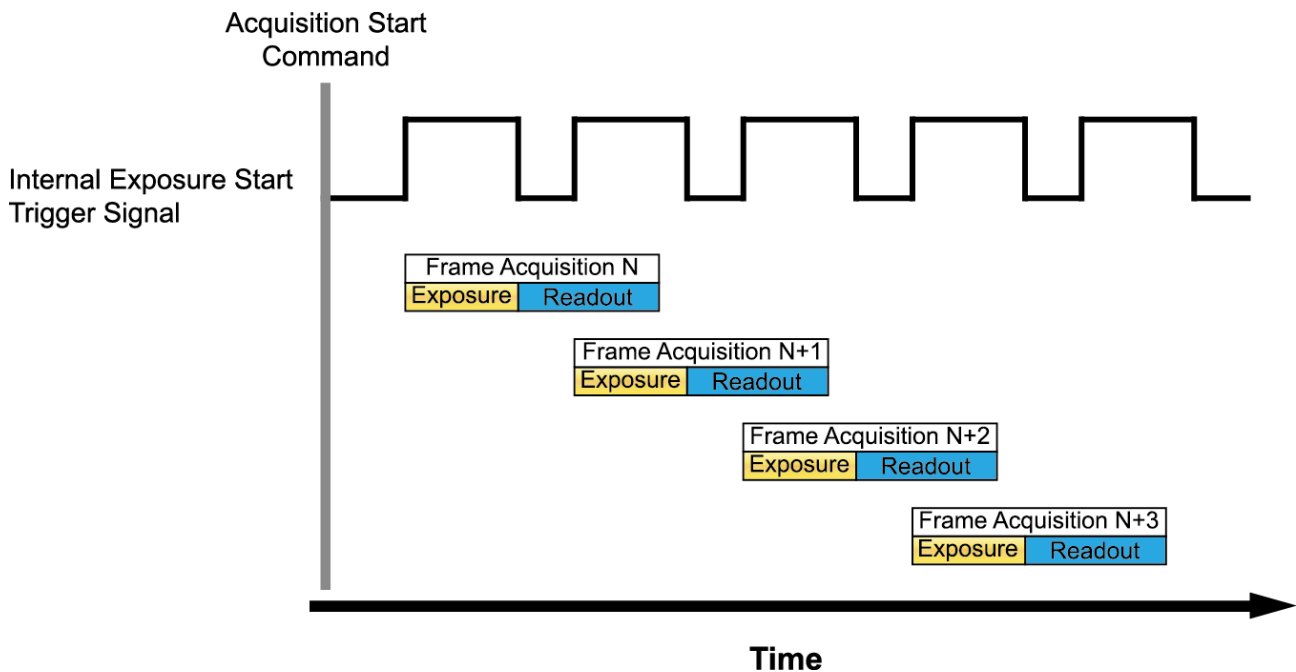


Figure 8.7 Overlapped Exposure and Readout

8.5.2 Non-overlapped

When the **Trigger Mode** parameter is set to **On**, each time a frame is acquired the camera completes the entire exposure/readout process before acquisition of the next frame is started. The exposure for a new frame does not overlap the sensor readout for the previous frame. The following figure illustrates the **Trigger Mode** parameter set to **On**, the **Trigger Source** parameter set to **Line0**, and the **Exposure Mode** parameter set to **Trigger Width**.

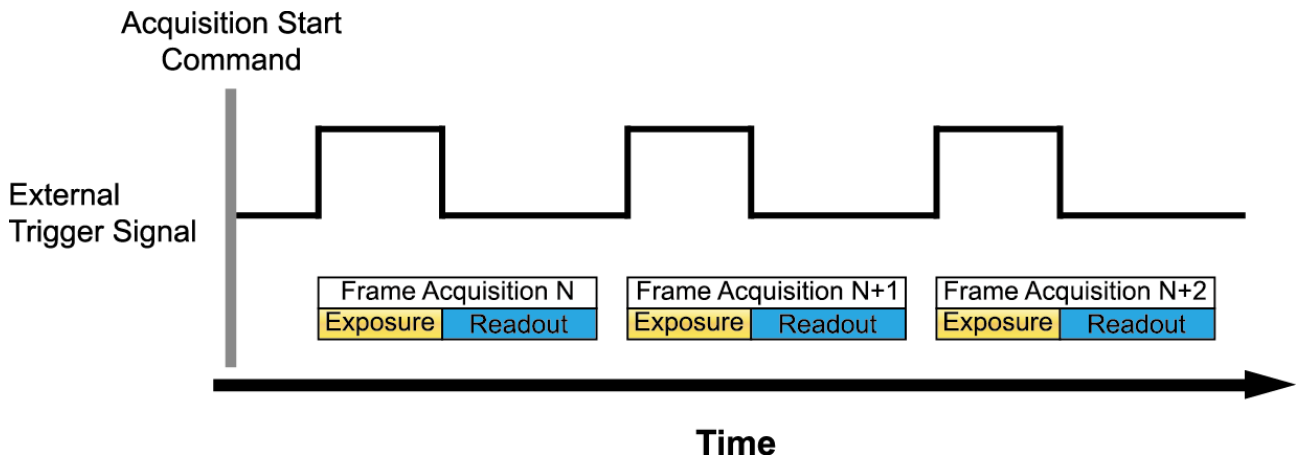


Figure 8.8 Non-overlapped Exposure and Sensor Readout

Guidelines for Non-overlapped Operation

If the **Trigger Mode** parameter is set to **On** and you are operating the camera in the non-overlapped mode, you must keep in mind the following:

- You must not begin the exposure for the current frame until the readout for the previous frame is complete.

When you are operating the camera with non-overlapped exposure and using an external trigger signal to trigger image acquisition, you could use the camera’s Exposure Time parameter settings and readout time to calculate when it is safe to begin each new acquisition.

Camera Model	Readout Time
VNP-604MX	15.0 μ s [1 horizontal line time] \times 10760 [1 Vertical Period]

Table 8.2 Readout Time

8.6 Rolling Shutter

The VNP-604MX camera is equipped with an image sensor that has an electronic rolling shutter. The camera exposes and reads out the pixel line with a temporal offset (t_{Row}) from one line to the next. When a trigger signal is applied to the camera, the camera resets the top line of pixels (Line 1) and begins exposing that line. The camera resets line two t_{Row} later and begins exposing the line. And so on until the bottom line of pixels (Line N) is reached. The pixel values for each line are read out at the end of exposure for the line. The readout time for each line is identical to the t_{Row} value.

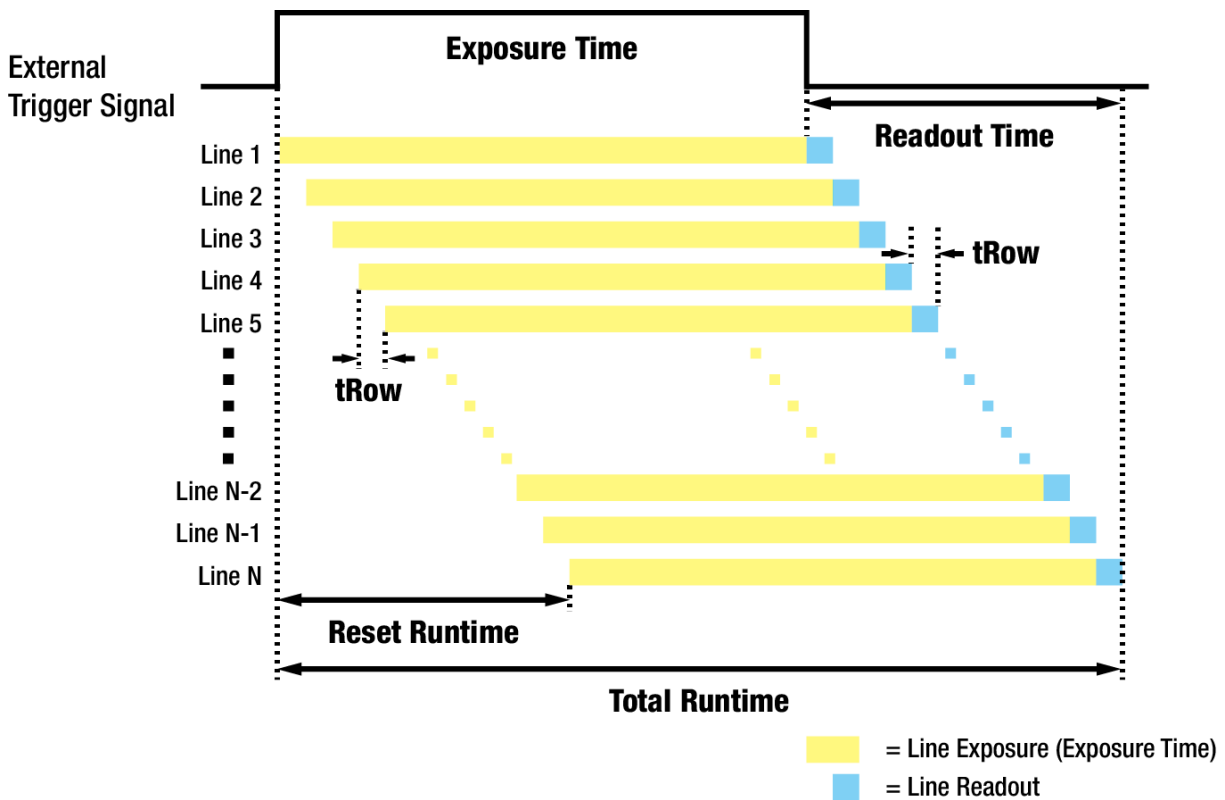


Figure 8.9 Rolling Shutter Operation

The tRow value for the VNP-604MX camera depending on the camera's CoaXPress setting is as follows:

Number of Channels	tRow
4 Channels	15.0 μ s

Table 8.3 Temporal Offset Value for the VNP-604MX

8.7 Maximum Allowed Frame Rate

In general, the maximum allowed acquisition frame rate on the camera may be limited by several factors:

- The amount of time that it takes to transmit an acquired frame from the camera to your computer.
The amount of time needed to transmit a frame depends on the bandwidth assigned to the camera.
- The amount of time it takes to read an acquired frame out of the image sensor and into the camera's frame buffer. This time varies depending on the setting for the Height parameter. Frames with a smaller height take less time to read out of the sensor. The frame height is determined by the camera's **Height** settings in the **Image Format Control** category.
- The exposure time for acquired frames. If you use very long exposure time, you can acquire fewer frames per second.

8.7.1 Increasing the Maximum Allowed Frame Rate

You may find that you would like to acquire frames at a rate higher than the maximum allowed with the camera's current settings. In this case, you must adjust one or more of the factors that can influence the maximum allowed frame rate and then check to see if the maximum allowed frame rate has increased.

- The time that it takes to transmit a frame out of the camera is the main limiting factor on the frame rate. You can decrease the frame transmission time (and thus increase the maximum allowed frame rate) by using the ROI feature.
 - Decreasing the size of the Image ROI may increase the maximum allowed frame rate. If possible, decrease the height of the Image ROI.
- If you are using normal exposure times and you are using the camera at its maximum resolution, your exposure time will not normally restrict the frame rate. However, if you are using long exposure time, it is possible that your exposure time is limiting the maximum allowed frame rate. If you are using a long exposure time, try using a shorter exposure time and see if the maximum allowed frame rate increases (You may need to compensate for a lower exposure time by using a brighter light source or increasing the opening of your lens aperture.).



A very long exposure time severely limits the camera's maximum allowed frame rate. As an example, assume that your camera is set to use a 1 second exposure time. In this case, because each frame acquisition will take at least 1 second to be completed, the camera will only be able to acquire a maximum of one frame per second.

9 Camera Features

9.1 Image Region of Interest

The Image Region of Interest (ROI) feature allows you to specify a portion of the sensor array. You can acquire only the frame data from the specified portion of the sensor array while preserving the same quality as you acquire a frame from the entire sensor array.

With the ROI feature, you can increase the maximum allowed frame rate by decreasing the **Height** parameter; however, decreasing the **Width** parameter does not affect the frame rate. The ROI is referenced to the top left corner [origin (0, 0)] of the sensor array as shown below.

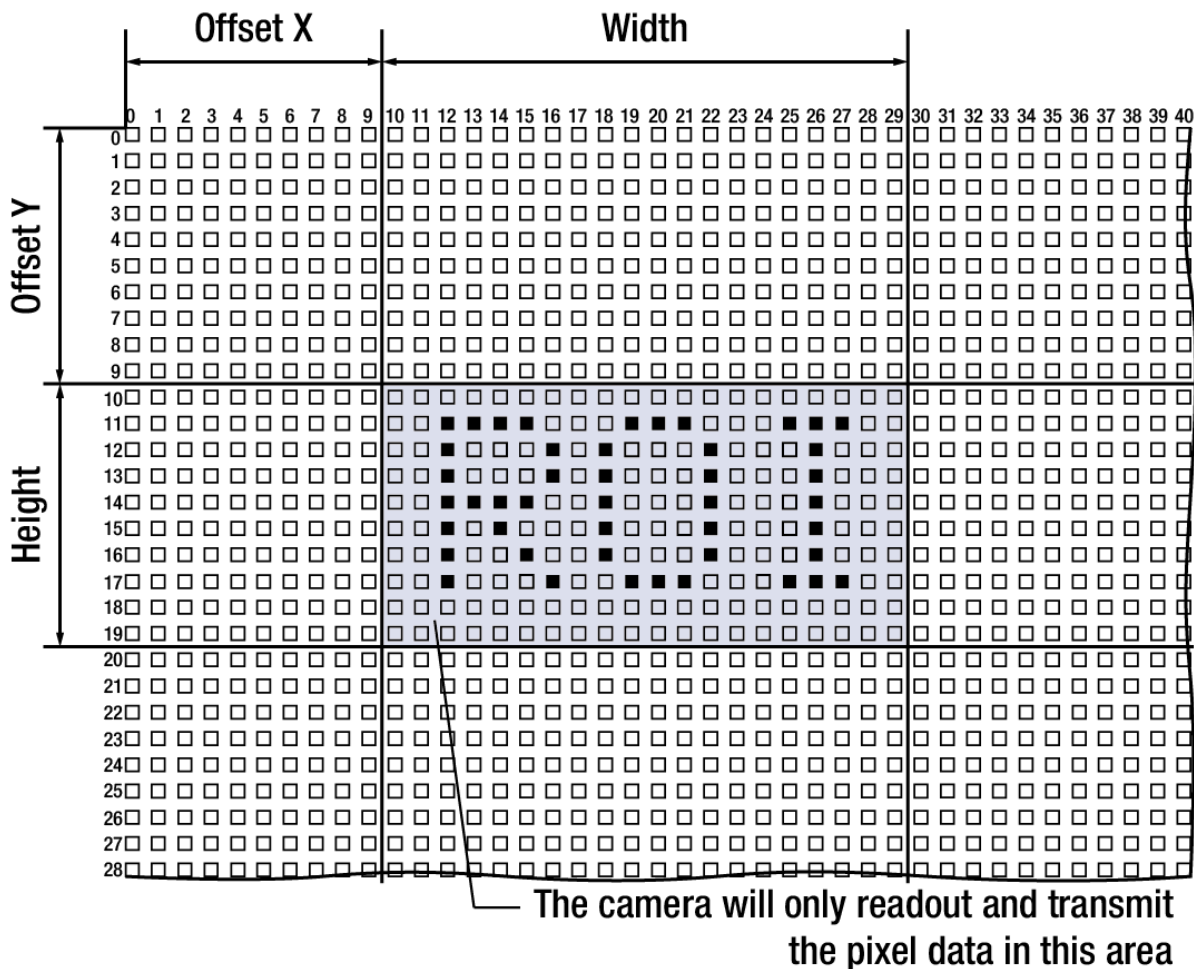


Figure 9.1 Region of Interest

The XML parameters related to ROI settings are as follows.

XML Parameters		Value	Description
ImageFormatControl	SensorWidth ^a	-	Effective width of the sensor
	SensorHeight ^a	-	Effective height of the sensor
	WidthMax	-	Maximum allowed width of the image width the current camera settings
	HeightMax	-	Maximum allowed height of the image with the current camera settings
	Width ^b	-	Sets the Width of the Image ROI.
	Height ^b	-	Sets the Height of the Image ROI.
	OffsetX ^c	-	Sets the horizontal offset from the origin to the Image ROI.
	OffsetY ^c	-	Sets the vertical offset from the origin to the Image ROI.

The unit of all parameters in this table is pixel.

a: Read only. User cannot change the value.

b: User configurable parameters for setting ROI

c: User configurable parameters for setting the origin of the ROI.

Table 9.1 XML Parameters related to ROI

You can change the size of ROI by setting the **Width** and **Height** parameters in the **Image Format Control** category. You can also change the position of the ROI origin by setting the **Offset X** and **Offset Y** parameters. Make sure that the **Width + Offset X** value is less than the **Width Max** value, and the **Height + Offset Y** value is less than the **Height Max** value. You must set the size of the ROI first, and then set the Offset values since the **Width** and **Height** parameters are set to its maximum value by default.

- On the VNP-604MX camera, the **Width** parameter must be set to a multiple of 16, and the **Height** parameter must be set to a multiple of 2.

The minimum allowed setting values for the ROI Width and Height are shown below.

Camera Model	Minimum Width Settings	Minimum Height Settings
VNP-604MX	64	2

Table 9.2 Minimum ROI Width and Height Settings

On the VNP-604MX camera, the maximum allowed frame rates depending on Vertical ROI changes are shown below.

ROI Size (H × V)	Max. Frame Rate
14192 × 2	546.4 fps
14192 × 2000	31.4 fps
14192 × 4000	16.2 fps
14192 × 6000	10.9 fps
14192 × 8000	8.2 fps
14192 × 10640	6.2 fps

Table 9.3 Maximum Frame Rates by VNP-604MX Vertical ROI Changes

When you set the Sequence Mode to Mono4Frame (Bayer4Frame) or Mono9Frame, the maximum frame rates depending on the Vertical ROI changes are shown below.

ROI Size (H × V)	Sequence Mode	4 Channels
14192 × 2	Mono4Frame	136.6 fps
	Mono9Frame	60.7 fps
14192 × 2000	Mono4Frame	7.8 fps
	Mono9Frame	3.4 fps
14192 × 4000	Mono4Frame	4.0 fps
	Mono9Frame	1.8 fps
14192 × 6000	Mono4Frame	2.7 fps
	Mono9Frame	1.2 fps
14192 × 8000	Mono4Frame	2.0 fps
	Mono9Frame	0.9 fps
14192 × 10640	Mono4Frame	1.5 fps
	Mono9Frame	0.6 fps

Table 9.4 Maximum Frame Rates according to the Sequence Mode and ROI Changes



Your CXP Frame Grabber may place additional restrictions on how the ROI location and size must be set. Refer to your CXP Frame Grabber user manual for more information.

9.2 CXP Link Configuration

The VNP-604MX camera must be connected to a CXP Frame Grabber installed in your computer via CoaXPress interface. CoaXPress interface allows you to connect a camera to a CXP Frame Grabber by using simple coax cabling and allows up to 6.25 Gbps data rate per cable. The VNP-604MX camera supports one master connection and up to three extension connections to configure a link. In compliance with the CoaXPress standard, the VNP-604MX camera includes an automatic link detection mechanism (Plug and Play) to correctly detect the camera to CXP Frame Grabber connections.

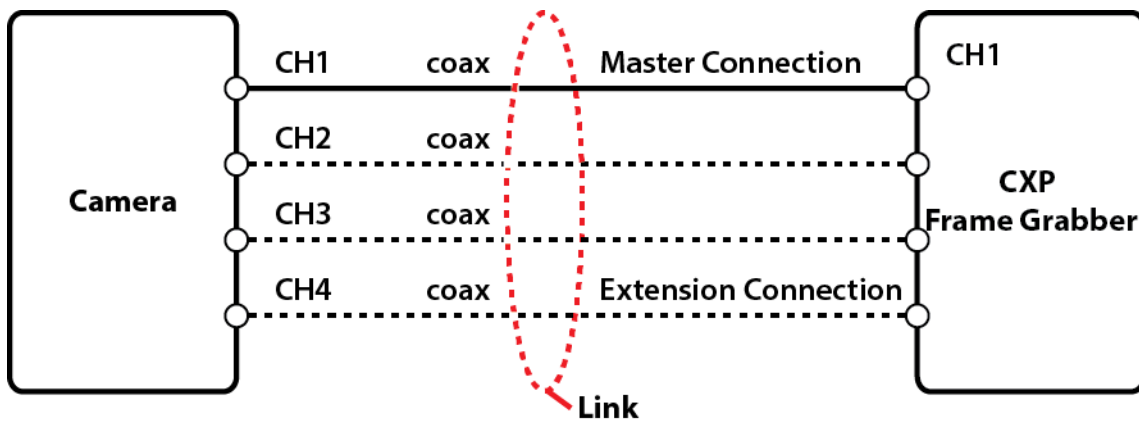


Figure 9.2 CXP Link Configuration

The XML parameters related to the link configuration between the camera and CXP Frame Grabber are as follows.

XML Parameters		Value	Description
CoaXPress	CxpLinkConfigurationPreferredSwitch	CXP3_X4	Sets the A parameter value to CXP3_X4.
		CXP6_X4	Sets the A parameter value to CXP6_X4.
	CxpLinkConfigurationPreferred ^A	Read Only	Displays bit rate and the number of connections to be set for the link configuration between the camera and Host (Frame Grabber) while discovering devices.
	CXPLinkConfiguration	CXP3_X4 CXP6_X4	Forcefully sets bit rate and the number of connections for the link configuration. ex) CXP6_X4: Four connections running at a maximum of CXP6 speed (6.25 Gbps).

Table 9.5 XML Parameters related to CXP Link Configuration

9.3 Pixel Format

The camera processes image data in the unit of 12 bit. You can determine the pixel format (8 bits, 10 bits or 12 bits) of these image data transmitted from the camera by selecting the **Pixel Format** parameter. When the camera is set for 8 bit or 10 bit pixel format, the four or two least significant bits will be dropped from overall 12 bits.

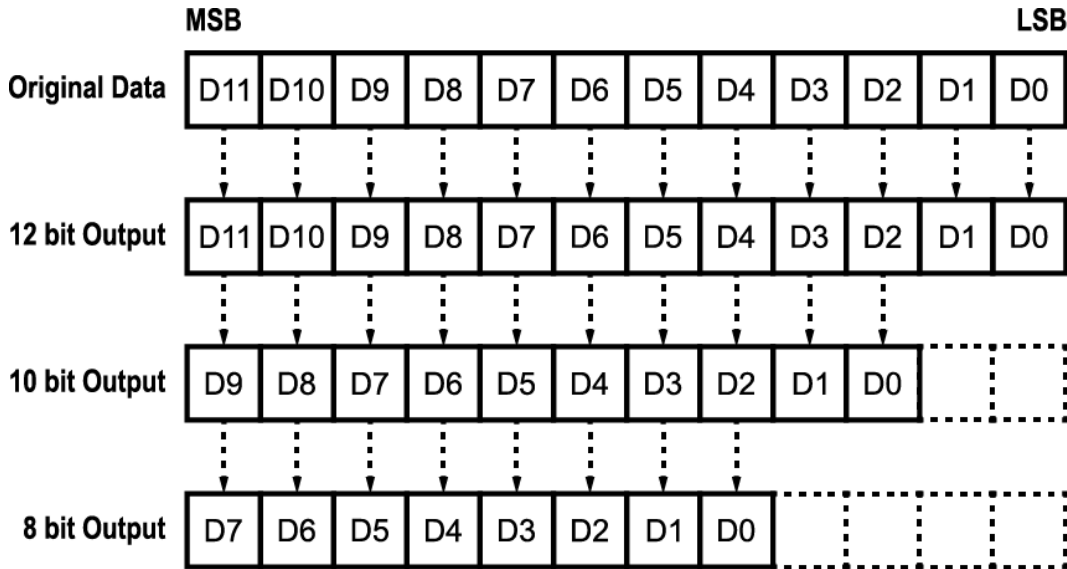


Figure 9.3 Pixel Format

The XML parameter related to Pixel Format is as follows.

XML Parameter		Description
ImageFormatControl	PixelFormat	Sets the pixel format supported by the device.

Table 9.6 XML Parameter related to Pixel Format

The available pixel formats on the monochrome and color cameras are as follows.

Mono Sensor	Color Sensor
<ul style="list-style-type: none"> • Mono 8 • Mono 10 • Mono 12 	<ul style="list-style-type: none"> • Mono 8 • Mono 10 • Mono 12 • Bayer RG 8 • Bayer RG 10 • Bayer RG 12

Table 9.7 Pixel Format Values

9.4 Data ROI (Color Camera)

The **Balance White Auto** feature provided by the color camera uses the pixel data from a Data Region of Interest (ROI) to adjust the related parameters. The XML parameters related to Data ROI are as follows.

XML Parameters		Value	Description
DataRoiControl	RoiSelector	WhiteBalanceAuto	<ul style="list-style-type: none"> Selects a Data ROI used for Balance White Auto. Only available on the color camera
	RoiOffsetX	-	X coordinate of start point ROI
	RoiOffsetY	-	Y coordinate of start point ROI
	RoiWidth	-	Width of ROI
	RoiHeight	-	Height of ROI

Table 9.8 XML Parameters related to Data ROI

Only the pixel data from the area of overlap between the data ROI by your settings and the Image ROI will be effective if you use Image ROI and Data ROI at the same time. The effective ROI is determined as shown in the figure below.

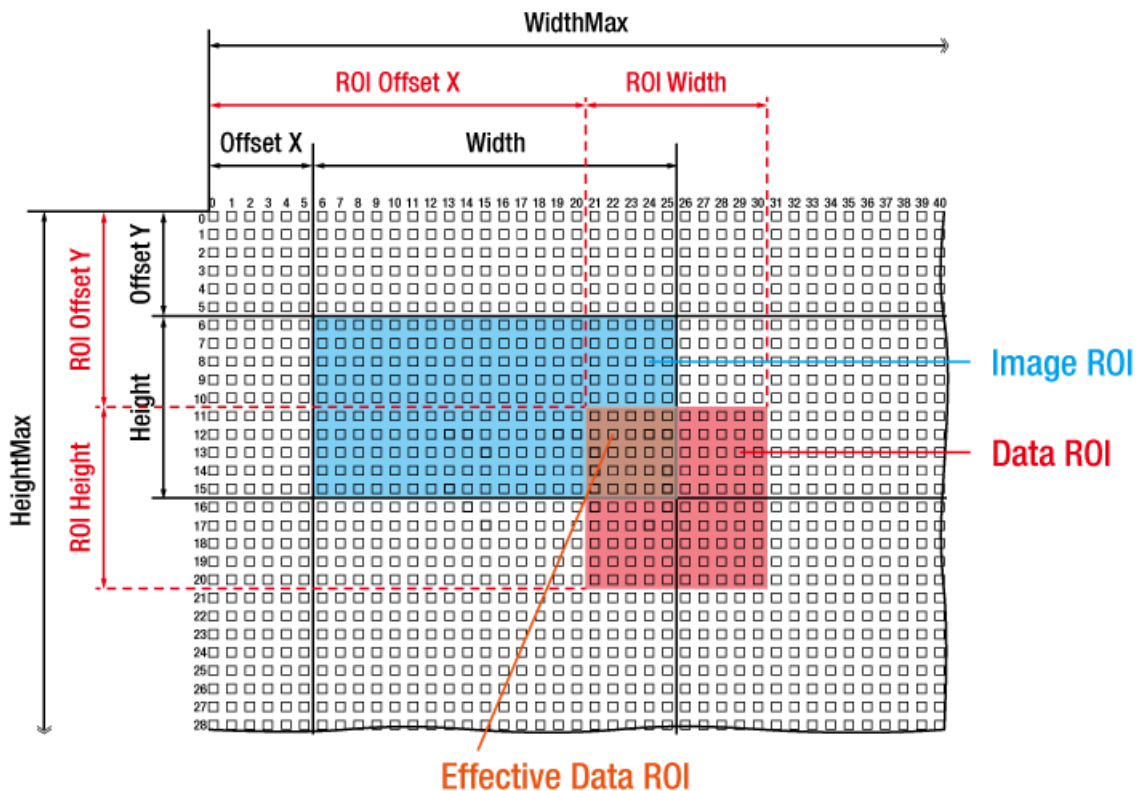


Figure 9.4 Effective Data ROI

9.5 White Balance (Color Camera)

The color camera includes the white balance capability to adjust the color balance of the images transmitted from the camera. With the white balancing scheme used on the VNP-604MX camera, the Red, Green and Blue intensities can be adjusted individually. You can set the intensity of each color by using the **Balance Ratio** parameter. The Balance Ratio value can range from 1.0 to 4.0. If the Balance Ratio parameter is set to 1.0 for a color, the intensity of the color will be unaffected by the white balance mechanism. If the Balance Ratio parameter is set to greater than 1.0, the intensity of the color will be proportionally increased to the ratio. For example, if the Balance Ratio is set to 1.5, the intensity of that color will be increased by 50%.

The XML parameters related to White Balance are as follows.

XML Parameters		Value	Description
AnalogControl	BalanceRatioSelector	Red	A Balance Ratio value will be applied to red pixels.
		Green	A Balance Ratio value will be applied to green pixels.
		Blue	A Balance Ratio value will be applied to blue pixels.
	BalanceRatio	×1.0 ~ ×4.0	Adjusts the ratio of the selected color.

Table 9.9 XML Parameters related to White Balance

9.5.1 Balance White Auto

The Balance White Auto feature is implemented on the color camera. It will control the white balance of the image acquired from the color camera according to the GreyWorld algorithm. Before using the Balance White Auto feature, you need to set the Data ROI for Balance White Auto. If you do not set the related Data ROI, the pixel data from the Image ROI will be used to control the white balance. As soon as the **Balance White Auto** parameter is set to **Once**, the Balance Ratio values for Red and Blue will be automatically adjusted to adjust the white balance by referring to Green. The XML parameters related to Balance White Auto are as follows.

XML Parameter	Value	Description	
AnalogControl	BalanceWhiteAuto	Off	Balance White Auto Off
	Once	White Balance is adjusted once and then Off.	

Table 9.10 XML Parameter related to Balance White Auto

9.6 Gain and Black Level

Increasing the **Gain** parameter increases all pixel values of the image. This results in a higher grey value output from the camera for a given amount of output from the image sensor.

1. Selects the Gain Control (Digital All is only available) to adjust by using the **Gain Selector** parameter.
2. Sets the Gain parameter to the desired value.

Adjusting the **Black Level** parameter will result in an offset to the pixel values output from the camera.

1. Selects the Black Level Control (Digital All is only available) to adjust by using the **Black Level Selector** parameter.
2. Sets the Black Level parameter to the desired value. The available setting range varies depending on the Pixel Format settings.

The XML parameters related to Gain and Black Level are as follows.

XML Parameters		Value	Description
AnalogControl	GainSelector	DigitalAll	Applies the Gain value to all digital channels.
	Gain	1.0× ~ 32.0×	Sets a digital gain value.
	BlackLevelSelector	DigitalAll	Applies the Black Level value to all digital channels.
	BlackLevel	0 ~ 255	Sets a black level value.

Table 9.11 XML Parameters related to Gain and Black Level

9.7 Hot Pixel Correction

When you acquire images with long exposure times or operate the camera under the condition of high ambient temperature, hot pixels may be appeared on the images due to the characteristics of the high resolution CMOS image sensor. If you use a long exposure time to increase camera's sensitivity especially in low light conditions, hot pixels may cause adverse effects on image quality. The VNP-604MX camera provides the Hot Pixel Correction feature to correct hot pixels. The Hot Pixel Correction feature does not interpolate pixel values using their neighboring pixels like the Defective Pixel Correction feature. When you set the **Hot Pixel Correction** parameter to **On**, the camera identifies hot pixels and then correct them linearly to react to light as the normal pixels. The XML parameter related to Hot Pixel Correction is as follows.

XML Parameters		Value	Description
DSNUControl	HotPixelCorrection	Off	Disables the Hot Pixel Correction feature.
		On	Enables the Hot Pixel Correction feature.

Table 9.12 XML Parameter related to Hot Pixel Correction

9.8 Dynamic Defective Pixel Correction

When you acquire images with the Defective Pixel Correction feature (refer to [9.9 Defective Pixel Correction](#)) enabled, some pixels may appear brighter or darker than the other pixels due to long exposure times, high gain settings or high operating temperatures. The VNP-604MX camera provides the **Dynamic Defective Pixel Correction** feature to remove these defect pixels. If you set the **Dynamic Defective Pixel Correction** parameter to **TRUE**, pixels considerably brighter or darker than adjacent pixels will be replaced with the Median value of adjacent 3×3 pixels. You can adjust the range of defect pixel values to be replaced with the Median value by setting the **Defective Pixel Offset Threshold** parameter.

The XML parameters related to Dynamic Defective Pixel Correction are as follows.

XML Parameters		Value	Description
ImageFormatControl	DynamicDefectivePixel	FALSE	Disables the Dynamic DPC feature.
	Correction	TRUE	Enables the Dynamic DPC feature.
	DefectivePixel OffsetThreshold	0 ~ 2048 (at 12 bit)	Sets the Threshold Offset value of the Median filter. You can adjust the range of defect pixel values by setting this value.

Table 9.13 XML Parameters related to Dynamic Defective Pixel Correction

The range of defect pixel values can be determined by $\pm 20\%$ of adjacent 3×3 pixels' average and \pm Offset Threshold values.

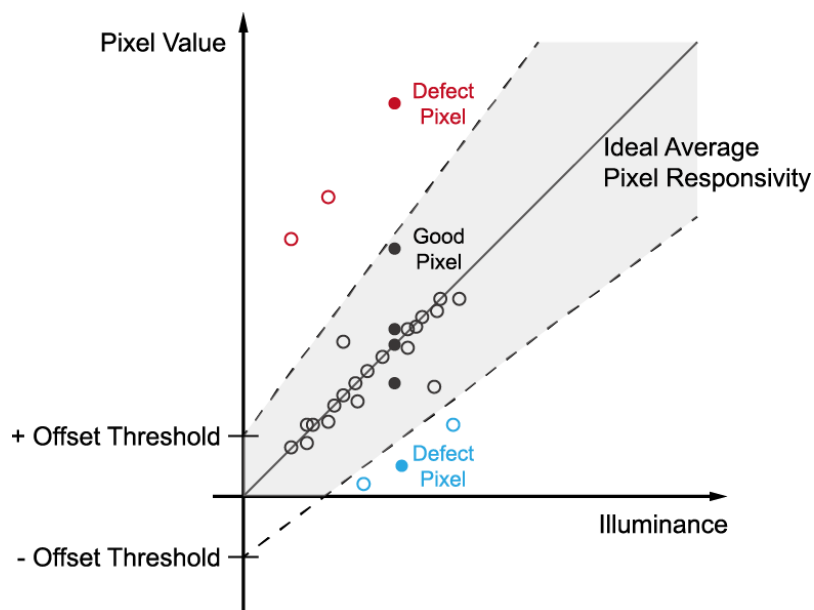


Figure 9.5 Dynamic Defective Pixel Correction

9.9 Defective Pixel Correction

The CMOS sensor may have defect pixels which cannot properly react to the light. Correction is required since it may deteriorate the quality of output image. Defect pixel information of CMOS used for each camera is entered into the camera during the manufacturing process. If you want to add defect pixel information, it is required to enter coordinate of new defect pixel into the camera. For more information, refer to [Appendix A](#).

9.9.1 Correction Method

A correction value for a defect pixel is calculated based on the valid pixel value adjacent in the same line.

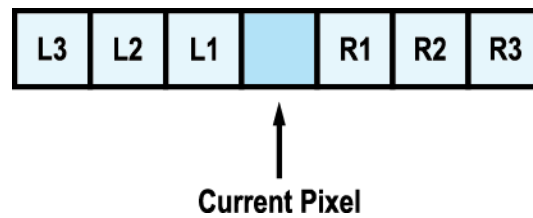


Figure 9.6 Location of Defect Pixel to be corrected

If the Current Pixel is a defect pixel as shown in the figure above, the correction value for this pixel is obtained as shown in the following table depending on whether surrounding pixels are defect pixels or not.

Adjacent Defect Pixel (s)	Correction Value of Current Pixel
None	$(L1 + R1) / 2$
L1	R1
R1	L1
L1, R1	$(L2 + R2) / 2$
L1, R1, R2	L2
L2, L1, R1	R2
L2, L1, R1, R2	$(L3 + R3) / 2$
L2, L1, R1, R2, R3	L3
L3, L2, L1, R1, R2	R3

Table 9.14 Calculation of Defect Pixel Correction Value

9.10 Flat Field Correction

The Flat Field Correction feature improves the image uniformity when you acquire a non-uniformity image due to external conditions. The Flat Field Correction feature of the VNP-604MX camera can be summarized by the following equation:

$$IC = IR / IF$$

IC: Level value of corrected image

IR: Level value of original image

IF: Level value of Flat Field data

In actual use conditions, generate a Flat Field correction data and then save the data into the non-volatile memory of the camera by following the procedures below.

1. Choose an active Flat Field data location by using the **Flat Field Data Selector** parameter.
2. Execute the **Flat Field Data Generate** parameter.
After executing the **Flat Field Data Generate** parameter, you must acquire one image to generate the scaled down Flat Field correction data.
3. Execute the **Flat Field Data Save** parameter to save the generated Flat Field data into the non-volatile memory. When the scaled down Flat Field data are used for correction, they are expanded and applied with a Bilinear Interpolation as shown in the Figure 9.8.
 - To ignore the generated Flat Field correction data and use the previous Flat Field correction data, execute the **Flat Field Data Load** parameter before executing the **Flat Field Data Save** parameter.
4. Set the **Flat Field Correction** parameter to **On** to apply the Flat Field data to the camera.



- It is recommended that you enable the **Defective Pixel Correction** feature before executing the **Flat Field Data Generate** parameter.
- Before executing the **Flat Field Data Generate** parameter, you must set the camera as follows:
 - OffsetX, Y: 0
 - Width, Height: Maximum values
- After executing an **Acquisition Start** command, you need to operate the camera with free-run mode or apply a trigger signal to acquire an image.

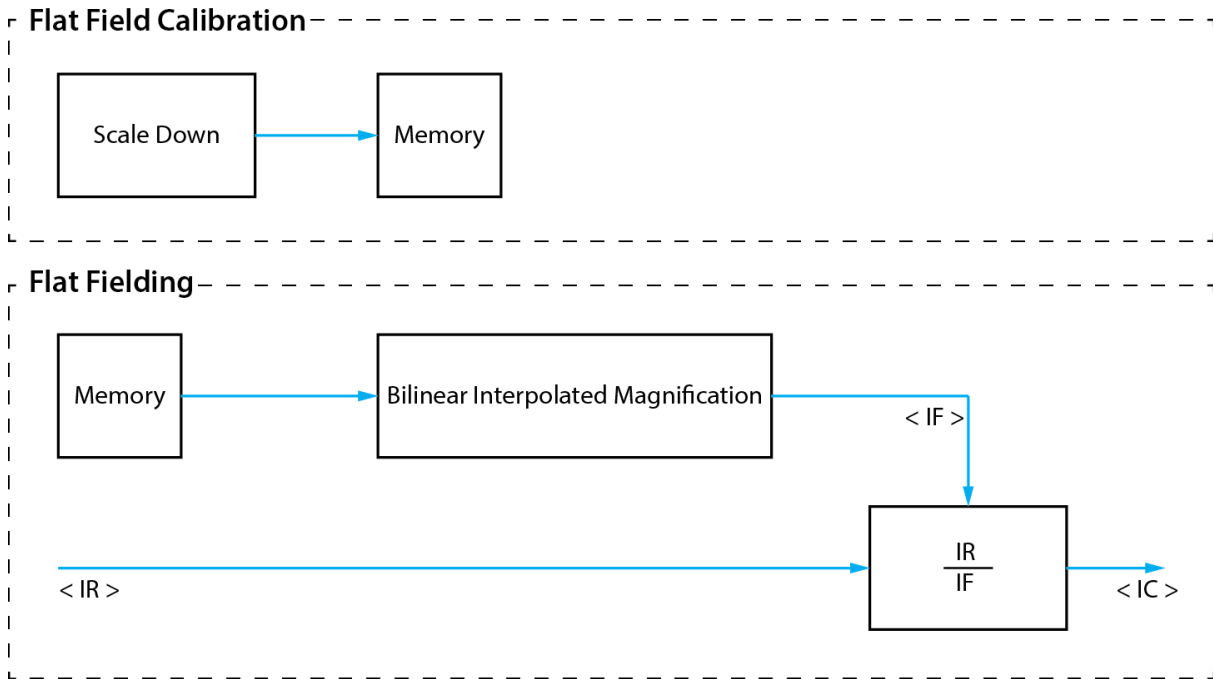


Figure 9.7 Generation and Application of Flat Field Data

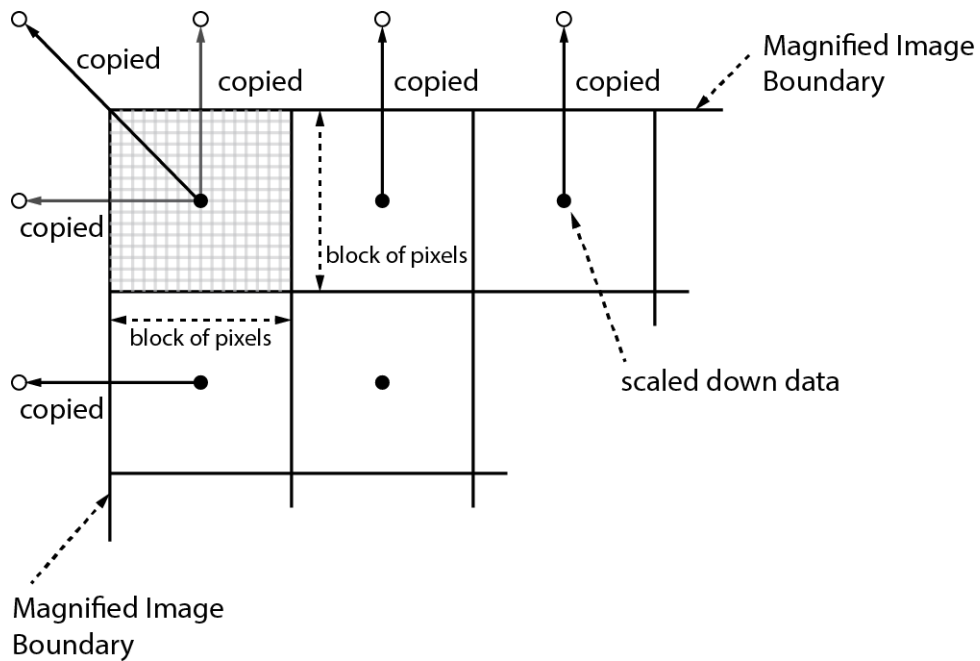


Figure 9.8 Bilinear Interpolated Magnification

The XML parameters related to Flat Field Correction are as follows.

XML Parameters		Value	Description
FlatFieldControl	FlatFieldCorrection	Off	Disables the Flat Field Correction feature.
		On	Enables the Flat Field Correction feature.
	FlatFieldDataSelector	Space0 ~ Space15	Selects a location to save Flat Field data to or load Flat Field data from. <ul style="list-style-type: none"> Space0~Space15: User defined location
	FlatFieldDataGenerate	-	Generates the Flat Field data.
	FlatFieldDataSave	-	Saves the generated Flat Field correction data in the non-volatile memory. <ul style="list-style-type: none"> The generated data by executing the Flat Field Data Generate parameter are saved in the volatile memory so that the data are lost if the camera is reset or if power is turned off. To use the data after the camera is powered on or reset, save them in the non-volatile memory.
	FlatFieldDataLoad	-	Loads the Flat Field data from the non-volatile memory into volatile memory.

Table 9.15 XML Parameters related to Flat Field Correction

9.10.1 Flat Field Data Selector

As mentioned above, the generated Flat Field correction data is stored in the camera's volatile memory and the data is lost if the camera is reset or powered off. To use the generated Flat Field correction data after the camera is powered on or reset, you need to save them in the camera's non-volatile memory. The VNP-604MX camera provides sixteen reserved locations in the camera's non-volatile memory available for saving and loading the Flat Field correction data. You can use the **Flat Field Data Selector** parameter to select a location as desired.

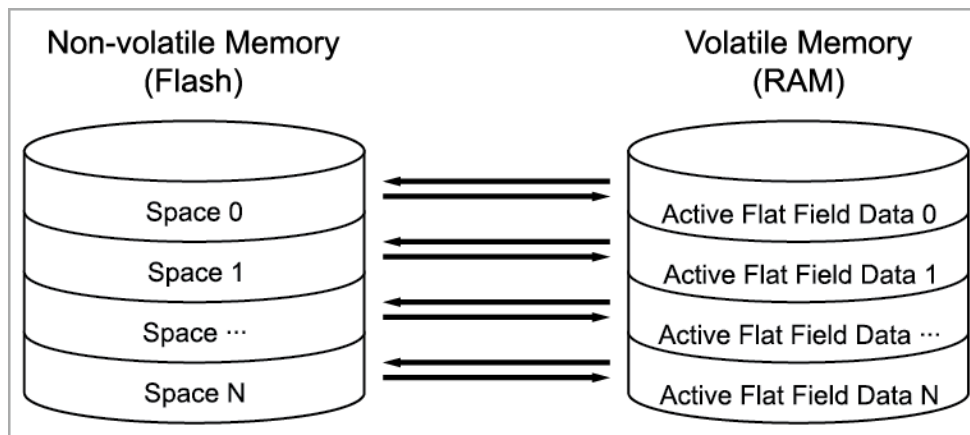


Figure 9.9 Flat Field Data Selector

Saving Flat Field Data

There is a one-to-one correspondence between active Flat Field data locations in the volatile memory and Flat Field data storage locations in the non-volatile memory. In order to save the generated Flat Field data into a reserved location in the camera's flash memory, you must choose a Flat Field data location before generating Flat Field data by using the **Flat Field Data Selector** parameter.

1. Use the **Flat Field Data Selector** parameter to specify a Flat Field data location, and then generate Flat Field data.
2. Execute the **Flat Field Data Save** parameter to save the generated Flat Field data to the selected location.

Loading Flat Field Data

If you saved Flat Field data into the camera's non-volatile memory, you can load the saved Flat Field data from the camera's non-volatile memory into the camera's active Flat Field correction data location.

1. Use the **Flat Field Data Selector** parameter to specify the desired Flat Field data storage location. The Flat Field correction data will be applied when the Flat Field Correction feature is enabled on the camera.
2. To ignore newly generated Flat Field correction data and load the previous Flat Field correction data, execute the **Flat Field Data Load** parameter.

9.11 Pixel Shifting

The VNP-604MX camera has a feature to shift the image sensor to X and Y direction precisely using the 2D-Stage. The resulting image can be combined of 4 individual images captured by shifting the image sensor to X and Y direction as shown in the figure below. Thus, the output image offers improved resolution (4 Shot Result Image) in comparison with standard output image (1 Shot Result Image). Combining the images should be done on the PC side with software processing. Please contact local dealer or factory representative for the details on the sample software combining the images.

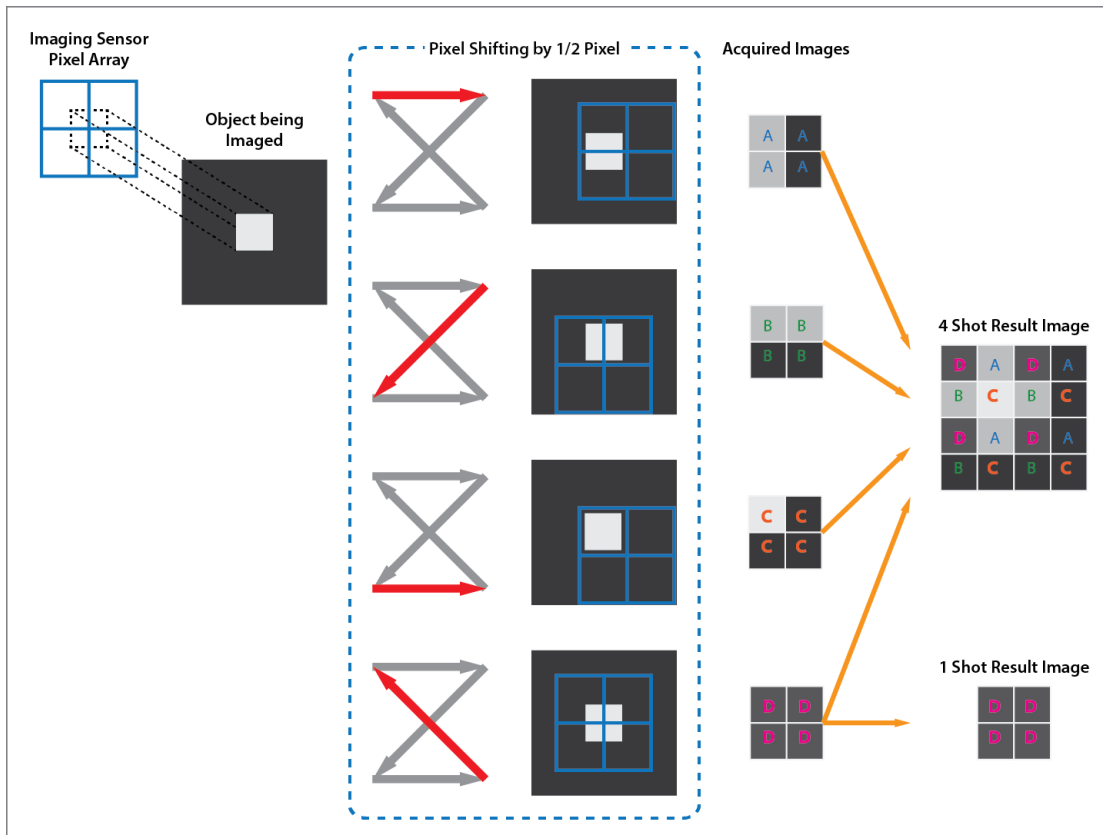


Figure 9.10 Comparison of a Pixel Shifting Image with Standard Image



- The camera contains components sensitive to heat, shock, or vibration. Handle this camera with the maximum care. Operate the camera at temperature between 0°C and 40°C.
- The Pixel Shifting feature is only available when the **Trigger Mode** parameter is set to **On**.

9.11.1 Pixel Shifting and True Color Resolution

One benefit of pixel shift technology in comparison to fixed sensor camera is its ability to acquire more than four times higher resolution than the fixed one. The figures below show a standard output image and 9× shifting output image. For the VNP-604MX camera, the output image will have 28,384 × 21,280 (604 Megapixels) resolution if the pixel shifting is applied. Otherwise, the resolution of output image is 14,192 × 10,640 (151 Megapixels) without pixel shifting.

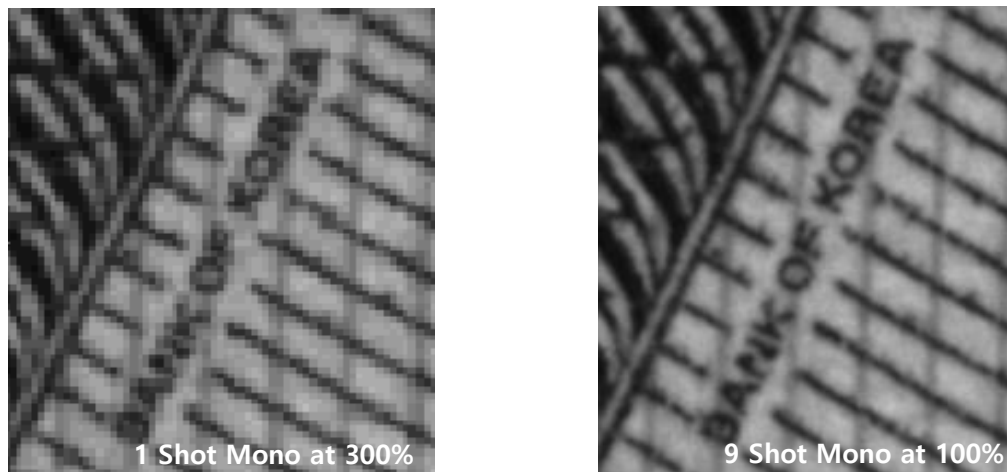


Figure 9.11 Standard (left) vs. 9 Shot Pixel Shifting (right)

Another benefit of pixel shifting technology compared to a fixed image sensor is acquiring True Color image. If a camera uses Bayer Interpolation to produce a color image, unwanted artifacts may occur such as color moiré or false color pixels. Using pixel shifting, no color artifacts or aliasing will occur, and the color resolution is optimized.

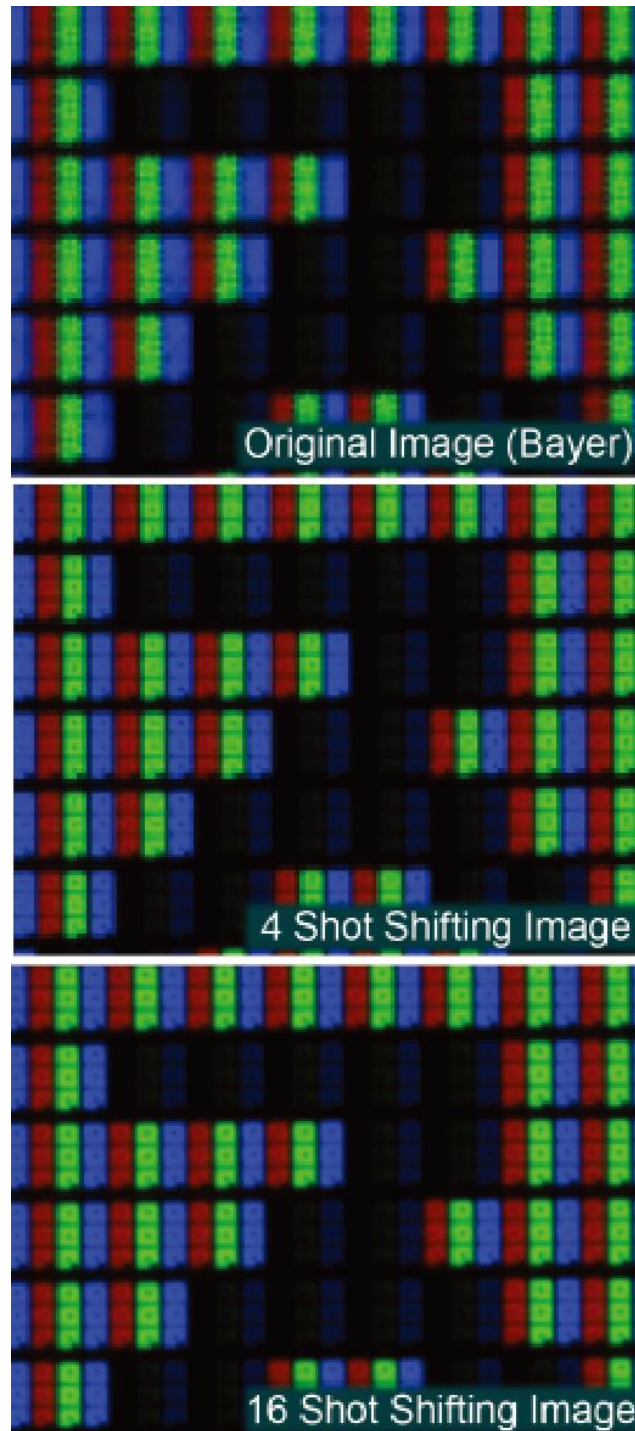


Figure 9.12 Standard Image Color vs. Pixel Shifting Image Color

9.11.2 Sequence Mode

9.11.2.1 Pixel Shifting Sequence Mode

The following Sequence Modes of pixels shifting are available on the VNP-604MX camera:

- 1. Mono 4 Frame (Doubled vertical and horizontal resolution)
- 2. Mono 9 Frame (Tripled vertical and horizontal resolution)
- 3. Mono 2 Frame H (Doubled horizontal resolution)
- 4. Mono 2 Frame V (Doubled vertical resolution)
- 5. Bayer 4 Frame (Full color resolution, no increase in resolution)
- 6. Bayer 16 Frame (Full color resolution, doubled vertical and horizontal resolution)

9.11.2.2 Operation of Sequence Mode

In the Sequence Mode, the position of the stage has been predefined and thus you can operate the sequence just by applying a trigger signal to the camera. The default position of the stage is (0, 0) and the following position will vary depending on the sequence mode. Once one cycle of operation has completed, the stage position returns to (0, 0). When the camera is running in the Free-Run mode, the sequence mode will be deactivated because the sequence mode is synchronized only with Software Trigger, External Trigger or CoaXPress Trigger. Refer to [Appendix C](#) for the position configurations according to the sequence modes. The minimum trigger period can be obtained as shown in the following expression:

- When sum of exposure time and stage setup time is shorter than frame transfer time:
(Frame Transfer Time > Exposure Time + Stage Setup Time)
 - Minimum Trigger Period = Frame Transfer Time
- When sum of exposure time and stage setup is longer than frame transfer time:
(Frame Transfer Time < Exposure Time + Stage Setup Time)
 - Minimum Trigger Period = Exposure Time + Stage Setup Time

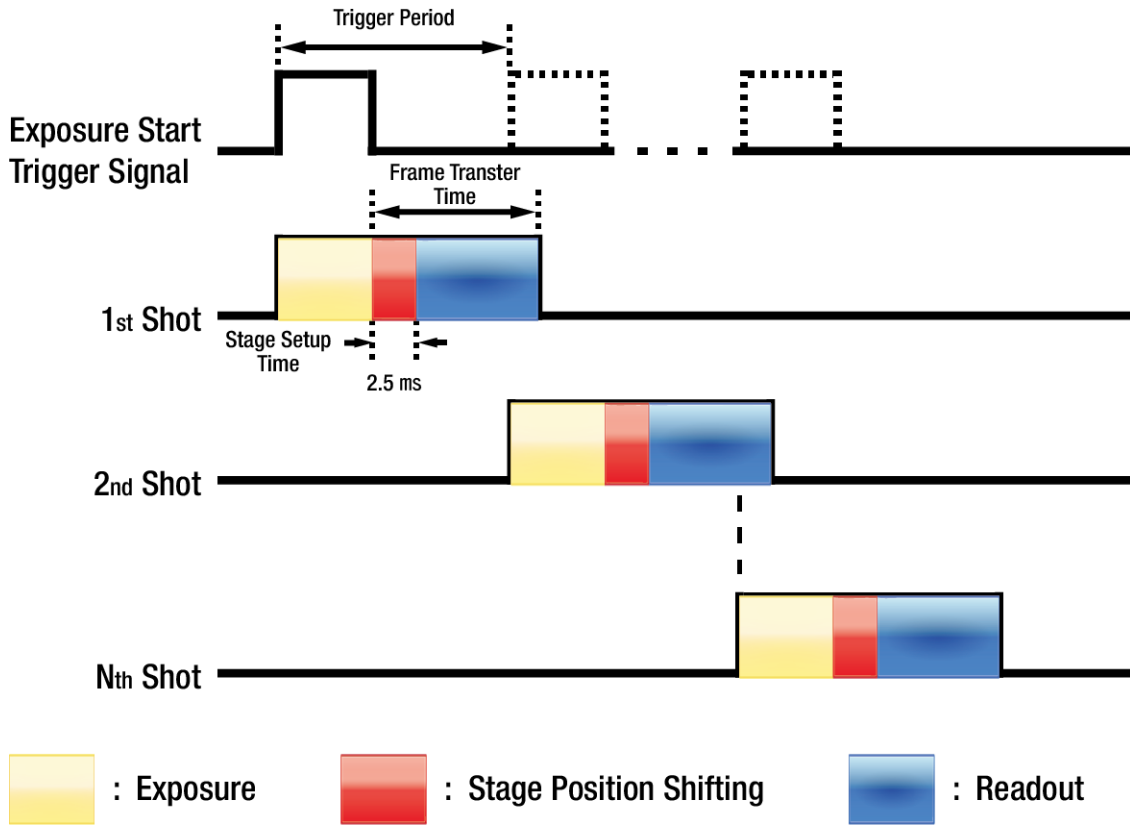


Figure 9.13 Sequence Mode Timing Diagram

The XML parameter related to Sequence Mode is as follows.

XML Parameters		Value	Description
StageControl	StageMode	Off	Sequence Off
		Mono4Frame	4 shot Mono
		Mono9Frame	9 shot Mono
		Mono2FrameH	2 shot Mono in horizontal direction
		Mono2FrameV	2 shot Mono in vertical direction
		Bayer4Frame	4 shot Color (Color Camera Only)
		Bayer16Frame	16 shot Color (Color Camera Only)

Table 9.16 XML Parameter related to Sequence Mode

9.11.2.3 Multi Shot

When **Multi Shot** is enabled, the sequence operation that is followed by the first trigger input will be performed automatically by internal trigger. Internal trigger is generated by calculating the optimized timing reflecting trigger delay and stage setup time. Trigger input from the external ports will be ignored until completing the readout of the last image.

Multi Shot Enable: 1 trigger N snap
 Sequence is performed in sequence with one trigger input.

Multi Shot Disable: 1 trigger 1 snap
 Exposure synchronizes with trigger input and N times trigger input is required to acquire N images.

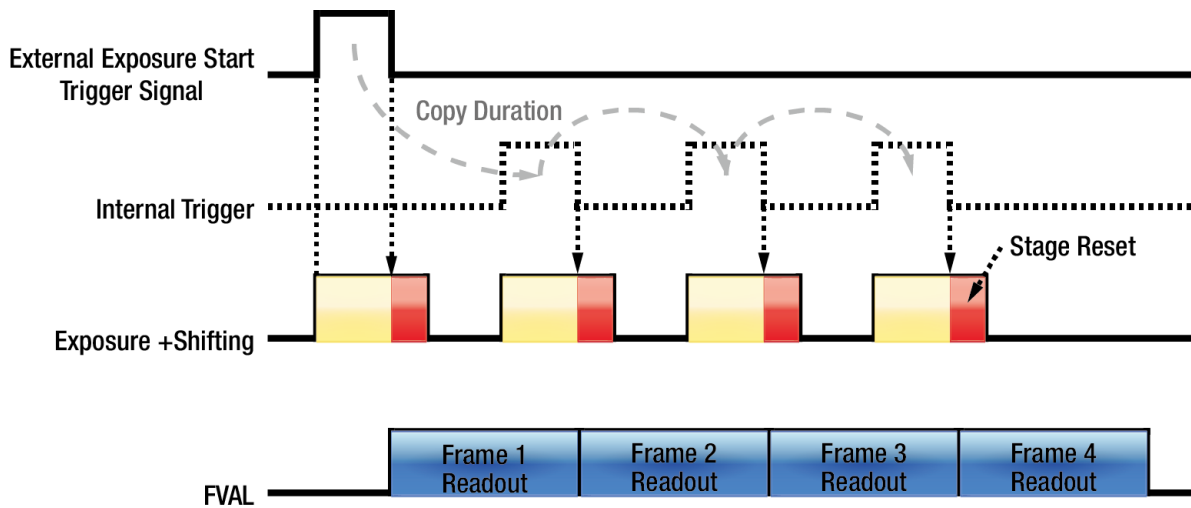


Figure 9.14 Timing Diagram when Multi Shot is enabled on Sequence 4 Shot Mode

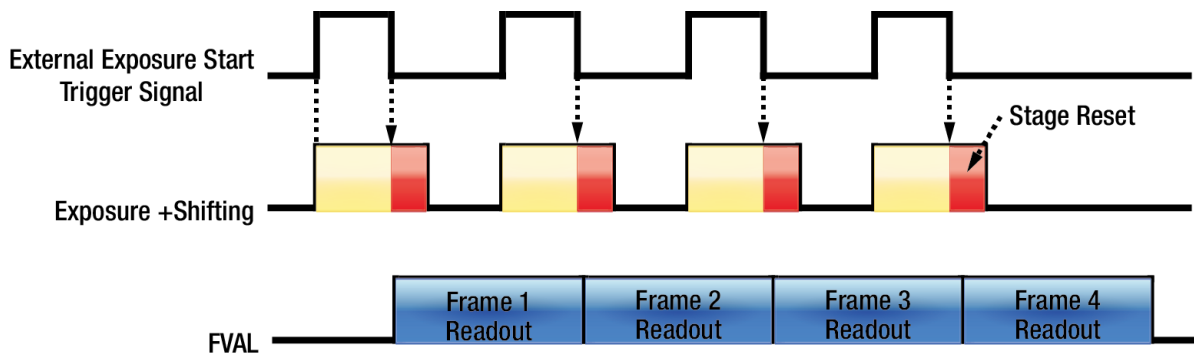


Figure 9.15 Timing Diagram when Multi Shot is disabled on Sequence 4 Shot Mode

The XML parameter related to Multi Shot is as follows.

XML Parameters		Value	Description
StageControl	MultishotEnable	Off	Multi Shot feature Off
		On	Enables the Multi Shot feature.

Table 9.17 XML Parameter related to Multi Shot

9.11.2.4 Stage Reset

Executing the **Stage Reset** command will reset the stage. Stage reset performs the following two features depending on the current status of the stage.

- Sequence Mode reset
 - When the **Stage Reset** command is executed while running the stage, the camera stops and resets the sequence, and then returns to the waiting for the trigger input status.
- Stage Position Sensor Calibration
 - Zero points can be changed according to temperature changes since the displacement sensor of the stage is sensitive to temperature. This feature adjusts zero point of the displacement sensor so that the sensor can be maintained within the operating range.



Zero point drift (the displacement sensor strays from the stage's operating range) may occur due to changes to mechanical parts of the camera or to the temperature on the installation environment. In this case, executing the **Stage Reset** command will compensate zero point drift to operate the stage normally.

9.11.2.5 Calibration Auto

This feature is only available when the Sequence Mode is enabled. If the **Calibration Auto** feature is set to **On**, the displacement sensor of the stage will be reset (zero point adjustment) whenever one cycle of sequence is completed.

9.11.2.6 Stage Status

In the Sequence Mode, you can determine whether the stage normally operates or not by counting the number of images acquired. When you set the **Sequence Mode** to **Mono4Frame**, for example, the camera will acquire and transfer four images. However, if the camera unexpectedly stops the sequence, the camera cannot acquire and transfer four images in this abnormal operation status. In this case, read the **StageStatus** parameter value in the **StageControl** category and then send it to local dealer or factory representative. Vieworks can diagnose the camera with the error code.



An impact of 5G or more would distort the operation range of the stage or alignment of the sensor and cause permanent damage to the stage since it is mechanically sensitive to shocks. Please handle the camera with care.

The XML parameters related to Stage Reset and Stage Status are as follows.

XML Parameters		Value	Description
StageControl	StageReset	-	Resets the stage.
	CalibrationAuto	Off	Not to execute the Stage Reset after completing one cycle of sequence.
		On	Executes the Stage Reset automatically after completing one cycle of sequence.
	StageStatus	-	Returns an error code if the stage operates abnormally.

Table 9.18 XML Parameters related to Stage Reset and Stage Status

9.11.2.7 Stage Position

The Stage Position command allows you to move the stage in X and Y directions within the operating range of the stage. The XML parameters related to Stage Position are as follows.

XML Parameters		Value	Description
StageControl	StagePositionX	-	Moves the stage in X direction (0 ~ 12,000 nm).
	StagePositionY	-	Moves the stage in Y direction (0 ~ 12,000 nm).

Table 9.19 XML Parameters related to Stage Position

9.11.2.8 Stage Index Display

When the **Stage Index Display** feature is enabled in the Sequence Mode, you can output images with the specified grey level for the (0, 0) coordinates. Thus, you can verify the order of images acquired.

For example, if the **Sequence Mode** parameter is set to **Mono4Frame**, the grey level for the (0, 0) coordinate of the first image is '0', the grey level for the (0, 0) coordinate of the second image is '1', the grey level for the (0, 0) coordinate of the third image is '2', and the grey level for the (0, 0) coordinate of the fourth image is '3'.

The XML parameter related to Stage Index Display is as follows.

XML Parameters		Value	Description
StageControl	StageIndexDisplay	Off	Disables the Index Display when acquiring images in the Sequence Mode.
		On	Enables the Index Display when acquiring images in the Sequence Mode.

Table 9.20 XML Parameter related to Stage Index Display

9.12 Digital I/O Control

The control I/O receptacle of the camera can be operated in various modes.

The XML parameters related to Digital I/O Control are as follows.

XML Parameters		Value	Description
DigitalIOControl	LineSelector	Line1	Selects the number 4 pin of the camera's control I/O receptacle as an output line.
	LineInverter	FALSE	Disables inversion on the output signal of the line.
		TRUE	Enables inversion on the output signal of the line.
	LineSource	Off	Disables the line output.
		ExposureActive	Outputs pulse signals indicating the current exposure time.
		FrameActive	Outputs pulse signals indicating a frame readout time.
		UserOutput0	Outputs pulse signals set by User Output Value.
		Timer0Active	Outputs user-defined Timer signals as pulse signals.
	Strobe	Outputs strobe signals (goes high when the exposure time for the bottom line of pixels begins and goes low when the exposure time for the top line of pixels ends) as pulse signals.	
	UserOutputValue	FALSE	Sets the bit state of the line to Low.
TRUE		Sets the bit state of the line to High.	
DebounceTime	0 ~ 1,000,000	Sets a Debounce time value in microseconds (Default: 0.5 μ s).	

Table 9.21 XML Parameters related to Digital I/O Control

When you set the **Line Source** to **User Output0**, you can use the user setting values as output signals.

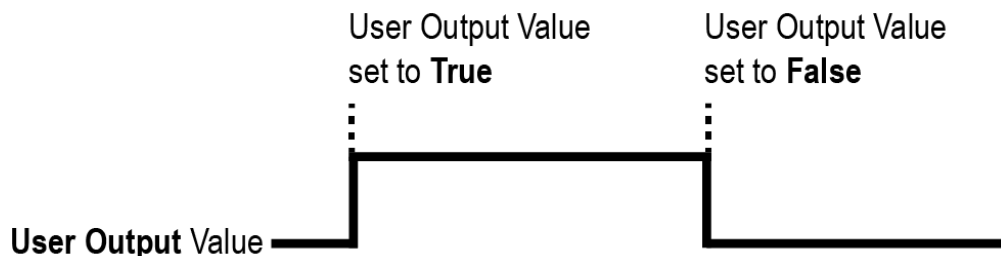


Figure 9.16 User Output

The camera can provide an Exposure Active output signal. The signal goes high when the exposure time for each frame acquisition begins and goes low when the exposure time ends as shown in the figure below. This signal can be used as a flash trigger and is also useful when you are operating a system where either the camera or the object being imaged is movable. Typically, you do not want the camera to move during exposure. You can monitor the Exposure Active signal to know when exposure is taking place and thus know when to avoid moving the camera.

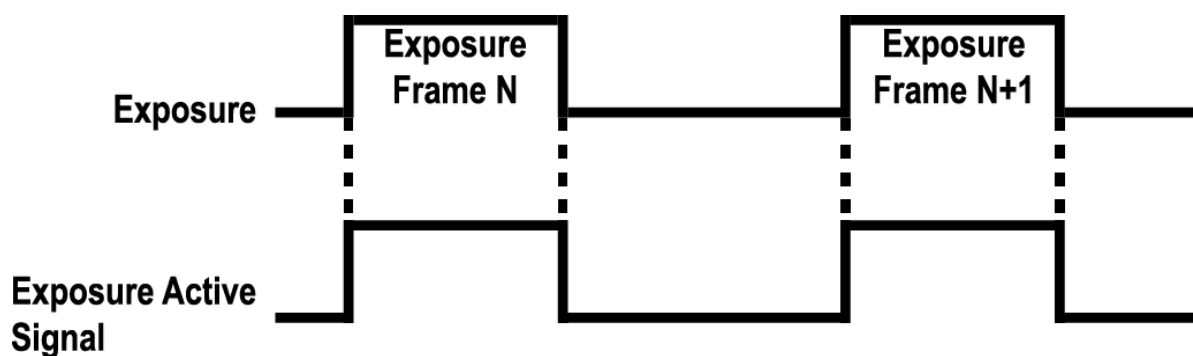


Figure 9.17 Exposure Active Signal

9.12.1 Strobe

When the **Line Source** parameter is set to **Strobe**, the camera can output Strobe signals. Typically, the strobe signal goes high when the exposure time begins and goes low when the exposure time ends. This signal can be used as a flash trigger and is also useful when you are operating a system where either the camera or the object being imaged is movable. Typically, you do not want the camera to move during exposure. You can monitor the Strobe signal to know when exposure is taking place and thus know when to avoid moving the camera.

The VNP-604MX camera provides the Strobe signal as shown in the figure below. The Strobe signal goes high when the exposure time for the bottom line of pixels begins and goes low when the exposure time for the top line of pixels ends. The Strobe signal is only available when the exposure time is longer than the readout time and is useful when you are operating the camera under the flash lighting conditions.

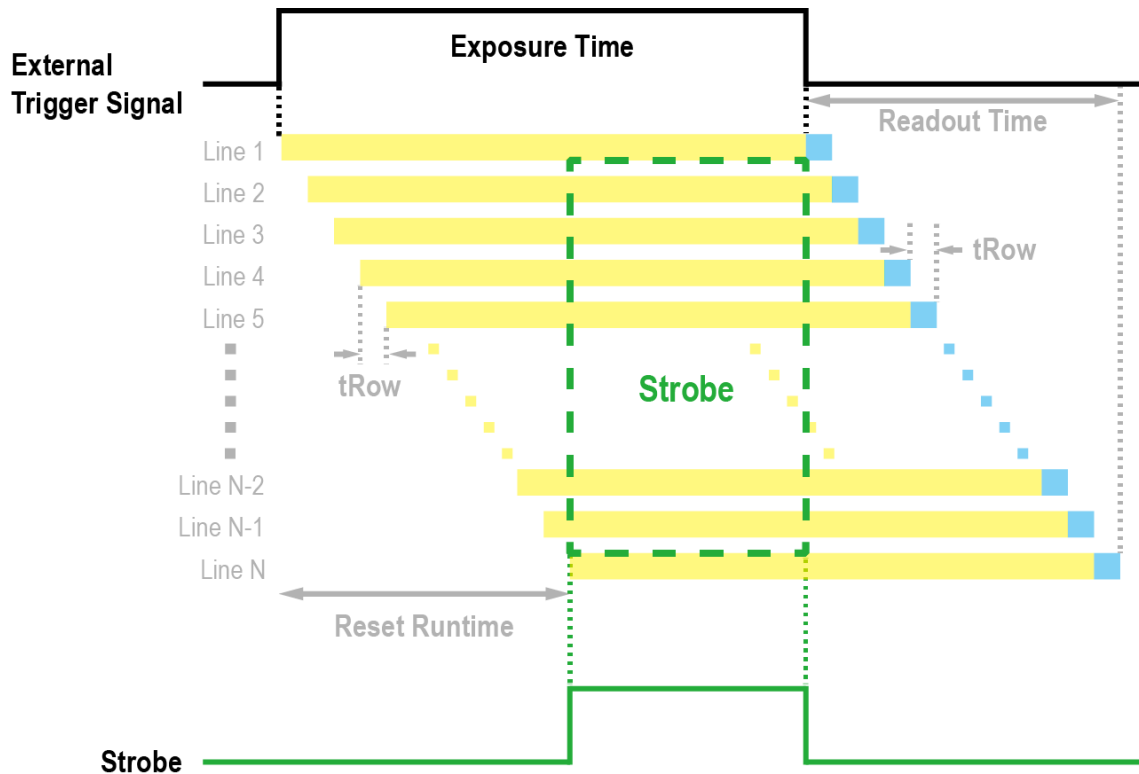


Figure 9.18 Strobe Signal

9.12.2 Debounce

The Debounce feature of the VNP-604MX camera allows to supply only valid signals to the camera by discriminating between valid and invalid input signals. The **Debounce Time** parameter specifies the minimum time that an input signal must remain High or Low in order to be considered as a valid input signal. When you use the Debounce feature, be aware that there is a delay between the point where the valid input signal arrives and the point where the signal becomes effective. The duration of the delay is determined by the Debounce Time parameter setting value. When you set the **Debounce Time** parameter, High and Low signals shorter than the setting value are considered invalid and ignored as shown in the figure below.

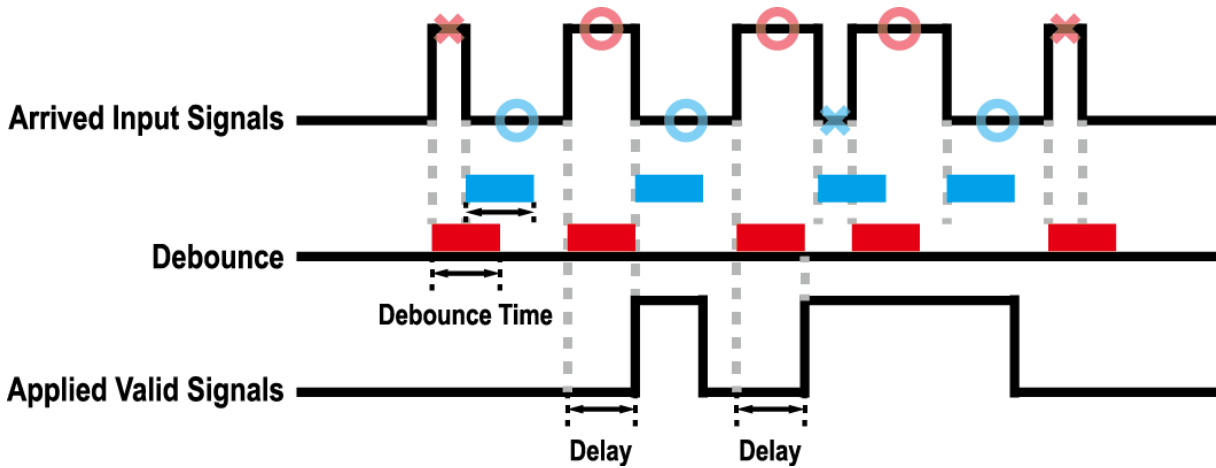


Figure 9.19 Debounce

The XML parameter related to Debounce Time is as follows.

XML Parameters		Value	Description
DigitalIOControl	Debounce Time	0 – 1,000,000 μ s	Sets a Debounce Time value in microseconds (Default: 0.5 μ s).

Table 9.22 XML Parameter related to Debounce Time

9.13 Timer Control

When the **Line Source** parameter is set to **Timer0Active**, the camera can provide output signals by using the Timer. On the VNP-604MX camera, the Frame Active, Exposure Active event, Strobe or external trigger signal is available as Timer source signal.

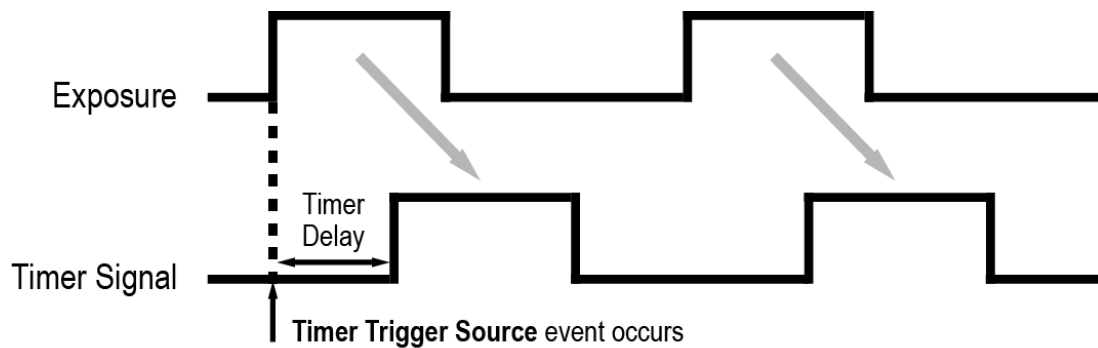
The XML parameters related to Timer are as follows.

XML Parameters		Value	Description	
CounterAnd TimerControl	TimerDuration	0 ~ 60,000,000 μ s	Sets the duration of the Timer output signal to be used when Timer Trigger Activation is set to Rising/Falling Edge.	
	TimerDelay	0 ~ 60,000,000 μ s	Sets the delay time to be applied before starting the Timer.	
	TimerReset	-	Resets the Timer and starts it again.	
	TimerTriggerSource	Off		Disables the Timer trigger.
		ExposureActive		Sets the Timer to use the current exposure time as the source signal.
		FrameActive		Sets the Timer to use a frame readout time as the source signal.
		Line0		Sets the Timer to use the external trigger signal as the source signal.
	TimerTriggerActivation	Strobe		Sets the Timer to use the Strobe signal as the source signal.
		RisingEdge		Specifies that a rising edge of the selected trigger signal will act as the Timer trigger.
		FallingEdge		Specifies that a falling edge of the selected trigger signal will act as the Timer trigger.
		LevelHigh		Specifies that the Timer output signal will be valid as long as the selected trigger signal is High.
		LevelLow		Specifies that the Timer output signal will be valid as long as the selected trigger signal is Low.

Table 9.23 XML Parameters related to Timer Control

For example, when the Timer Trigger Source is set to Exposure Active and the Timer Trigger Activation is set to Level High, the Timer will act as follows:

1. When the source signals set by the Timer Trigger Source parameter are applied, the Timer will start operations.
2. The delay set by the Timer Delay parameter begins to expire.
3. When the delay expires, the Timer signal goes high as long as the source signal is high.



* Timer Trigger Activation is set to Level High.

Figure 9.20 Timer Signal

9.14 Cooling Control

A fan is installed on the rear panel of the camera and Thermoelectric Peltier is installed inside the camera to control the temperature of the image sensor. You can set the fan and Peltier to turn on or off. You can also set the Peltier to turn on when a specified internal temperature is reached.

The XML parameters related to Cooling Control are as follows.

XML Parameters		Value	Description
CoolingControl	TargetTemperature	-10°C ~ 80°C	Sets the temperature to operate the Thermoelectric Peltier when the Peltier Operation Mode parameter is set to On.
	FanOperationMode	Off	Turns off the fan.
		On	Turns on the fan.
	FanSpeed	-	Displays the current Fan RPM.
	PeltierOperationMode	Off	Turns off the Thermoelectric Peltier.
On		Turns on the Thermoelectric Peltier when the internal temperature exceeds the value set in the Target Temperature parameter.	

Table 9.24 XML Parameters related to Cooling Control

9.15 Temperature Monitor

The camera has an embedded sensor chip to monitor the internal temperature.

The XML parameters related to Device Temperature are as follows.

XML Parameters		Value	Description
DeviceControl	DeviceTemperatureSelector	Sensor	Sets a temperature measuring spot to the image sensor.
		Mainboard	Sets a temperature measuring spot to the mainboard.
	DeviceTemperature	-	Displays device temperature in Celsius.

Table 9.25 XML Parameters related to Device Temperature

9.16 Status LED

A LED is installed on the rear panel of the camera to inform the operation status of the camera. LED status and corresponding camera status are as follows:

- Steady Red: The camera is not initialized.
- Slow Flashing Red: A CXP Link is not configured.
- Fast Flashing Orange: The camera is checking a CXP Link configuration.
- Steady Green: A CXP Link is configured.
- Fast Flashing Green: The camera is transmitting image data.

9.17 Test Pattern

To check whether the camera operates normally or not, it can be set to output test patterns generated in the camera, instead of image data from the image sensor. Three types of test patterns are available; image with different value in horizontal direction (Grey Horizontal Ramp), image with different value in diagonal direction (Grey Diagonal Ramp) and moving image with different value in diagonal direction (Grey Diagonal Ramp Moving).

The XML parameter related to Test Pattern is as follows.

XML Parameters		Value	Description
ImageFormatControl	TestPattern	Off	Disables the Test Pattern feature.
		GreyHorizontalRamp	Sets to Grey Horizontal Ramp.
		GreyDiagonalRamp	Sets to Grey Diagonal Ramp.
		GreyDiagonalRampMoving	Sets to Grey Diagonal Ramp Moving.
		SensorSpecific	Sets to the Test Pattern provided by the image sensor.

Table 9.26 XML Parameters related to Test Pattern

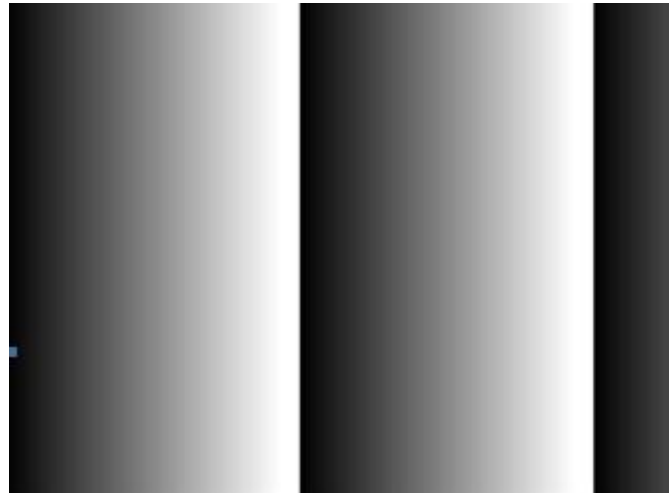


Figure 9.21 Grey Horizontal Ramp

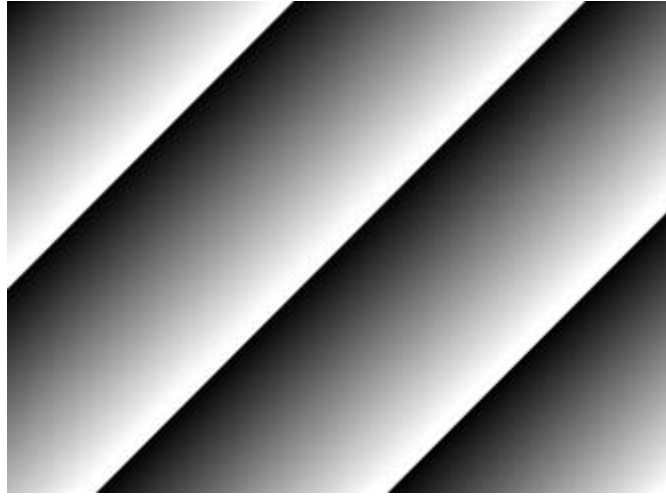


Figure 9.22 Grey Diagonal Ramp



Figure 9.23 Grey Diagonal Ramp Moving



The test pattern may look different because the region of the test pattern may vary depending on the camera's resolution.

9.18 Reverse X

The Reverse X feature lets you flip images horizontally. This feature is available in all operation modes of the camera. The XML parameter related to Reverse X is as follows.

XML Parameters		Value	Description
ImageFormatControl	ReverseX	FALSE	Disables the Reverse X feature.
		TRUE	Flips images horizontally.

Table 9.27 XML Parameter related to Reverse X



Figure 9.24 Original Image

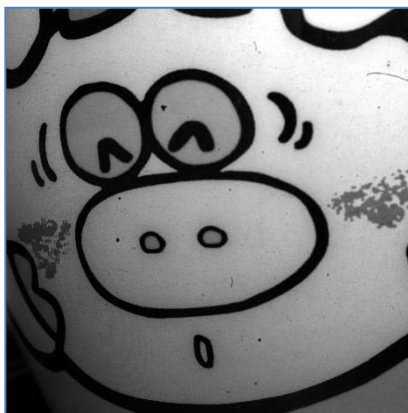


Figure 9.25 Reverse X Image

9.19 Device User ID

You can input user defined information up to 16 bytes.

The XML parameter related to Device User ID is as follows.

XML Parameters		Description
DeviceControl	DeviceUserID	Input user defined information (16 bytes).

Table 9.28 XML Parameter related to Device User ID

9.20 Device Reset

Resets the camera physically to power off and on. You must configure a link again because the camera will be released from the link between the camera and CXP Frame Grabber after reset.

The XML parameter related to Device Reset is as follows.

XML Parameters		Description
DeviceControl	DeviceReset	Resets the camera physically.

Table 9.29 XML Parameter related to Device Reset

9.21 Field Upgrade

The camera provides a feature to upgrade the Firmware and FPGA logic through the CoaXPress interface rather than disassemble the camera in the field. Refer to [Appendix B](#) for more details about how to upgrade.

9.22 User Set Control

You can save the current camera settings to the camera's internal Flash memory. You can also load the camera settings from the camera's internal Flash memory. The camera provides two setups to save and three setups to load settings. The XML parameters related to User Set Control are as follows.

XML Parameters		Value	Description
UserSetControl	UserSetSelector	Default	Selects the Factory Default settings.
		UserSet1	Selects the UserSet1 settings.
		UserSet2	Selects the UserSet2 settings.
	UserSetLoad	-	Loads the User Set specified by User Set Selector to the camera.
	UserSetSave	-	Saves the current settings to the User Set specified by User Set Selector. <ul style="list-style-type: none"> The Default is a Factory Default Settings and allowed to load only.
	UserSetDefault	Default	Applies the Factory Default settings when reset.
		UserSet1	Applies the UserSet1 settings when reset.
		UserSet2	Applies the UserSet2 settings when reset.

Table 9.30 XML Parameters related to User Set Control

The camera settings stored in the Default can be loaded into the camera's workspace, but cannot be changed. The settings set in the workspace will be lost if the camera is reset or powered off. To use the current setting values in the workspace after a reset, you must save the settings to one of the user spaces.

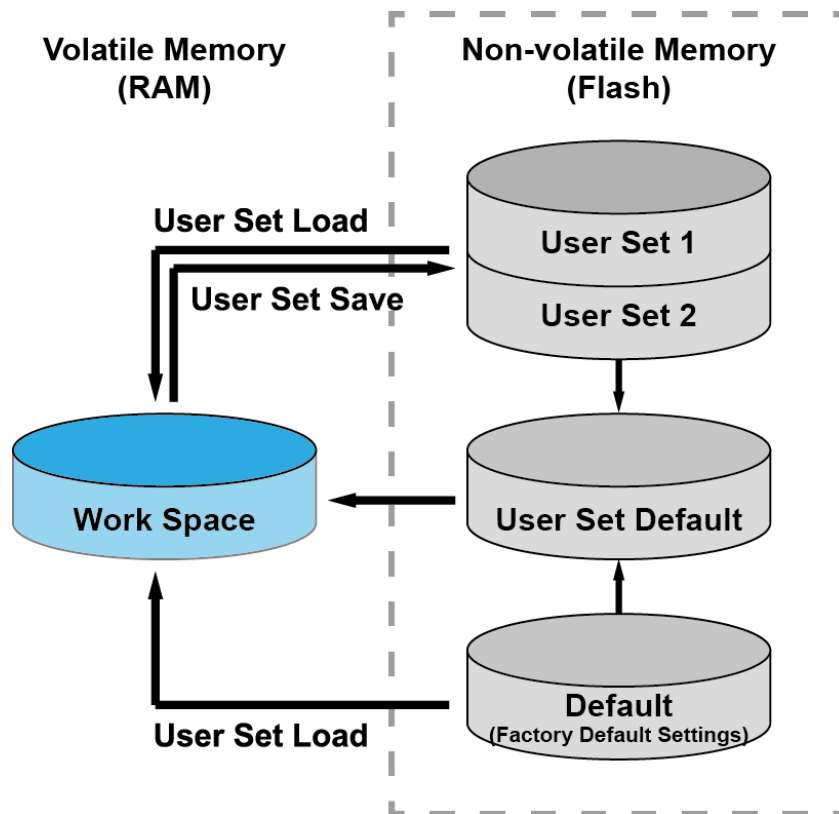


Figure 9.26 User Set Control

9.23 Sequencer Control

The Sequencer Control provided by the VNP-604MX camera allows you to apply different sets of parameter settings, called 'Sequencer Set', to a sequence of image acquisitions. As the camera acquires images, it applies one Sequencer Set after the other. This allows the camera to respond quickly to changing imaging requirements. For example, changes in illumination conditions influence the imaging requirements.

With the User Set Control feature, you can save user defined Sequencer Sets in the camera's non-volatile memory. Then after the camera is powered on or reset, the Sequencer Sets are available according to the **User Set Default** parameter. Each Sequencer Set is identified by an index number ranging from 0 to 31. Accordingly, you can define up to 32 different Sequencer Sets.

On the VNP-604MX camera, only the Flat Field correction data can be configured for Sequencer Sets.

The XML parameters related to Sequencer Sets are as follows.

XML Parameters		Value	Description
SequencerControl	SequencerMode	Off	Disables the Sequencer.
		On	Enables the Sequencer.
	SequencerConfigurationMode	Off	Disables the Sequencer Configuration Mode.
		On	Enables the Sequencer Configuration Mode.
	SequencerSetSelector	0 ~ 31	Selects an index number of a Sequencer Set to be configured.
	SequencerSetActive	-	Displays the index number (0 ~ 31) of the Sequencer Set that is currently active.
	SequencerSetCount	1 ~ 32	Sets the number of Sequencer Sets to be applied.
SequencerReset	-	Returns to Sequencer Set 0.	

Table 9.31 XML Parameters related to Sequencer Control



To apply Sequencer Sets, you must set the **Trigger Mode** parameter to **On**.

Use Case – Applying Four Different Flat Field Correction Data to Sequencer Sets

For example, assume that four different Flat Field correction data optimized for White, Green, Red and Blue pixels are applied to four different Sequencer Sets to inspect LCD panels.

1. Set the **Sequencer Mode** parameter to **Off**.
2. Set the **Sequencer Configuration Mode** parameter to **On**.
3. Set the **Sequencer Set Selector** parameter to **0** and set the **Flat Field Data Selector** parameter to **0**.
Then, set the **Sequencer Set Selector** parameter to **1, 2 and 3**, and then set the **Flat Field Data Selector** parameter to **1, 2 and 3** respectively.
4. Set the **Sequencer Set Count** parameter to **4**.
5. Set the **Sequencer Configuration Mode** parameter to **Off**, and then set the **Sequencer Mode** parameter to **On**.

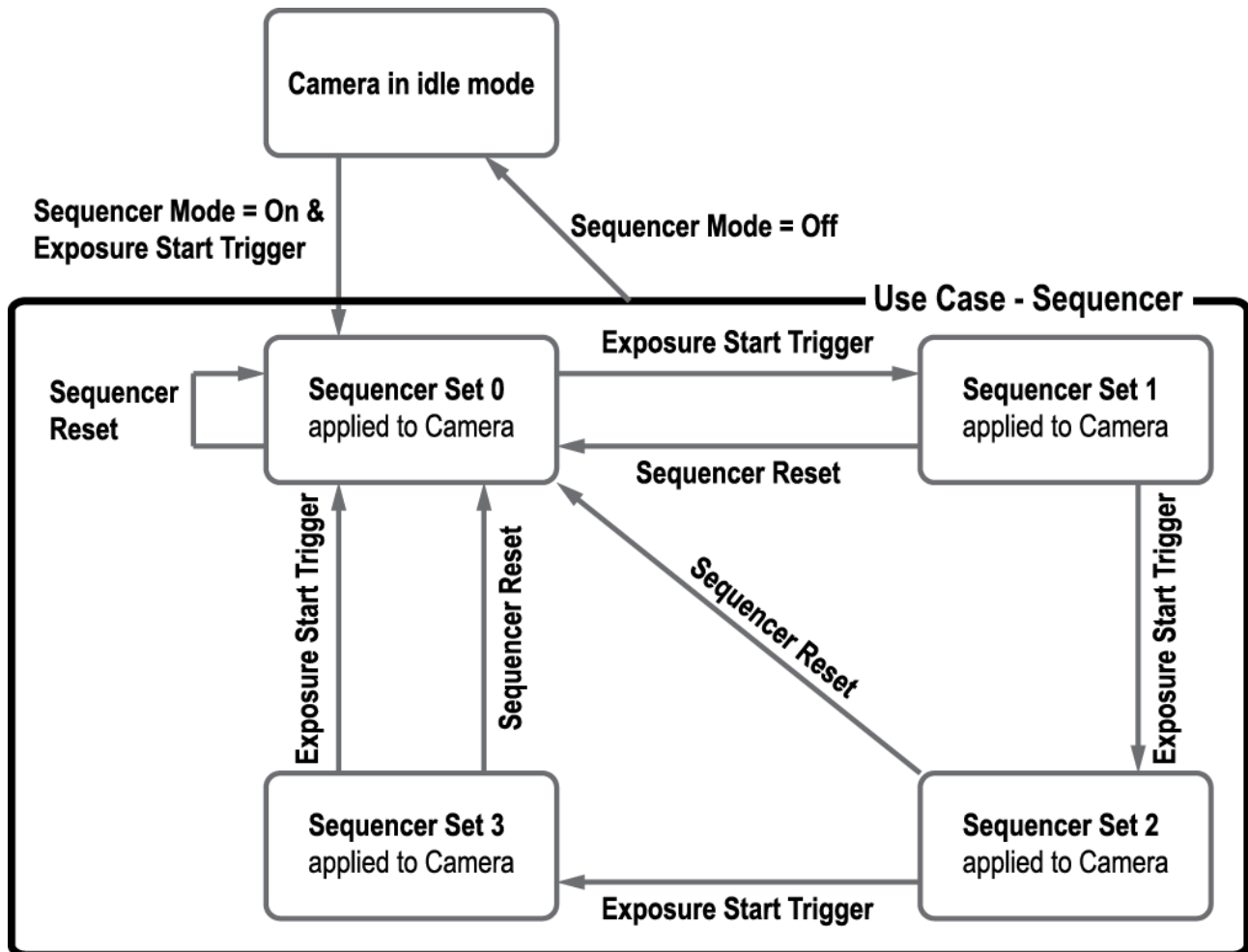


Figure 9.27 Sequencer Diagram (Use Case)



- You can save the user defined Sequencer Sets in the camera's non-volatile memory by using the **User Set Control** feature. For more information, refer to [9.22 User Set Control](#).
- Executing the **Sequencer Reset** parameter allows to return to the **Sequencer Set 0** status at any time while cycling through the Sequencer.

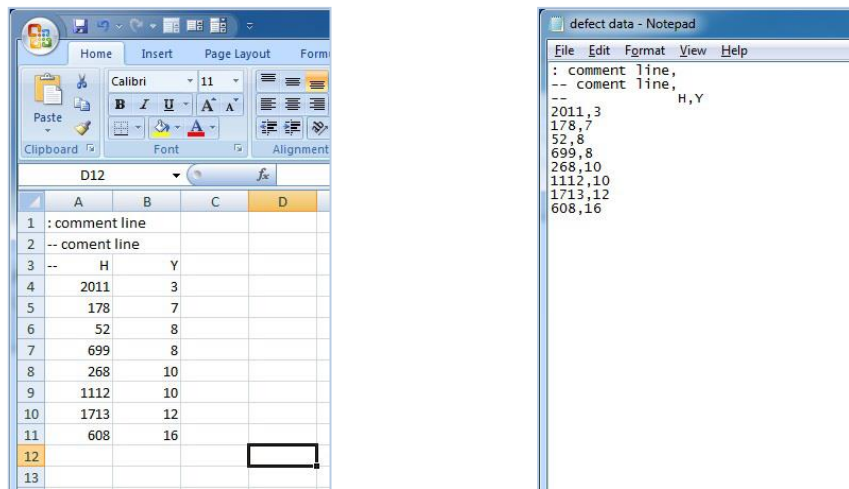
10 Troubleshooting

When you have a problem with a Vieworks camera, please check the following:

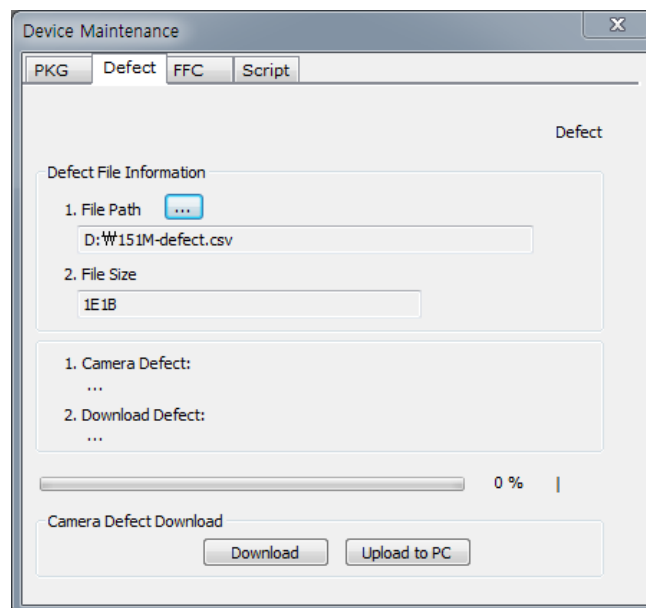
- If no image is displayed on your computer,
 - Ensure that all the cable connections are secure.
 - Ensure that the power supply is properly connected.
 - Ensure that trigger signal is applied correctly when you set the Trigger Mode parameter to On.
- If images are not clear,
 - Ensure the camera lens or glass is clean.
 - Check the lens aperture is adjusted properly.
- If images are dark,
 - Ensure your camera lens is not blocked.
 - Check the exposure time is set properly.
 - Check the aperture is opened properly.
 - Check the Gain value is not set to small.
- If you identify abnormal operation or overheating sign,
 - Ensure that power supply is properly connected.
 - Stop using the camera when you notice smoke or abnormal overheating.
- If you have a problem using the Trigger Mode,
 - Ensure that the Software trigger related parameters are configured correctly.
 - Ensure that the trigger related parameters on you CXP Frame Grabber are configured correctly when you set the Trigger Source parameter to CXPin.
 - Ensure that cable connections are secure when you set the Trigger Source parameter to Line0.
- If there is communication failure between the camera and computer,
 - Ensure coax cables are connected properly.
 - Ensure that you have configured a CXP Frame Grabber in your computer correctly and the camera is connected properly to the CXP Frame Grabber.

Appendix A Defective Pixel Map Download

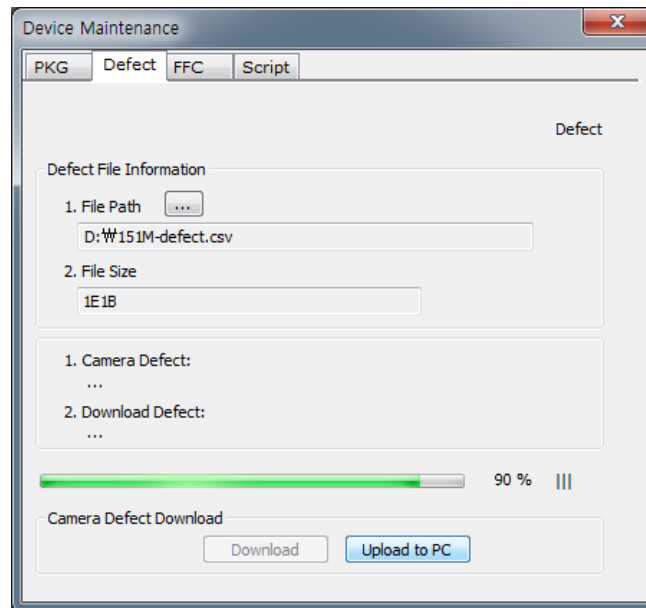
- Create the Defective Pixel Map data in Microsoft Excel format as shown in the left picture below and save as a CSV file (*.csv). The picture in the right shows the created Excel file opened in Notepad. The following rules need to be applied when creating the file.
 - Lines beginning with ':' or '--' are treated as notes.
 - You must enter the horizontal value first and then vertical value for coordinates of each defect pixel.
 - Coordinate values for each pixel can be placed in any order.



- Run Vieworks Imaging Solution 7.X and click the **Configure** button to display the window as shown below. Select the **Defect** tab, click the File Path button, search and select the defective pixel map (*.csv), and then click the **Download** button.



- Once the download is complete, the saving process will begin. During the saving process, make sure not to disconnect the power cord.

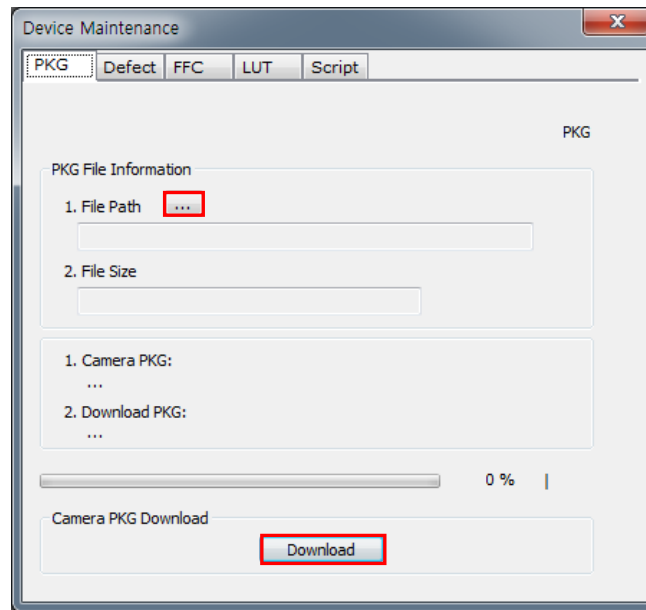


- After completing the download, click the **OK** button to close the confirmation.

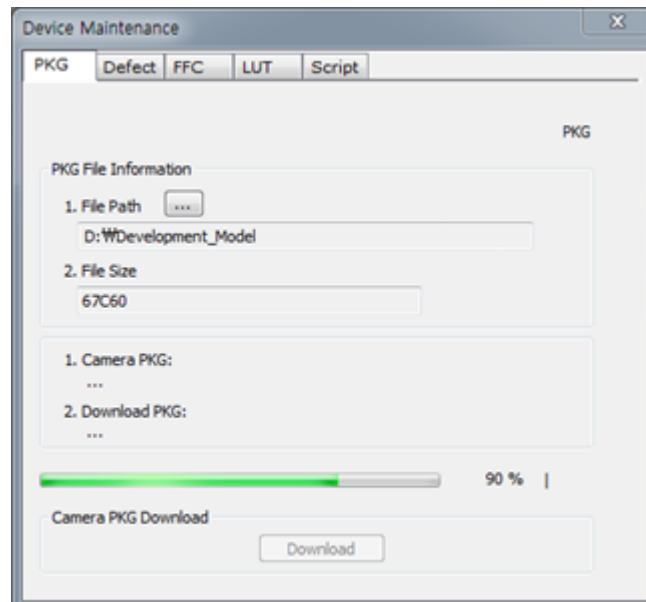
Appendix B Field Upgrade

You can upgrade the MCU, FPGA and XML file of the camera by following the procedures below.

1. Run Vieworks Imaging Solution 7.X and click the **Configure** button to display the window as shown below.
2. Select the **PKG** tab, click the File Path button, search and select the MCU, FPGA or XML upgrade file, and then click the **Download** button.



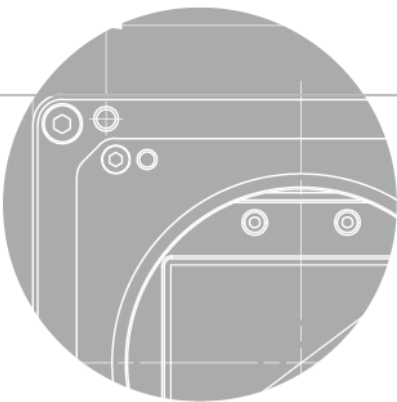
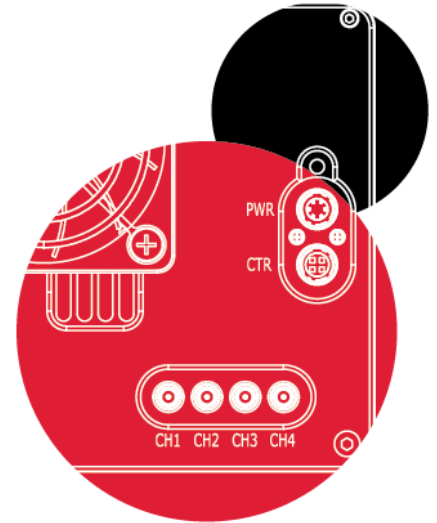
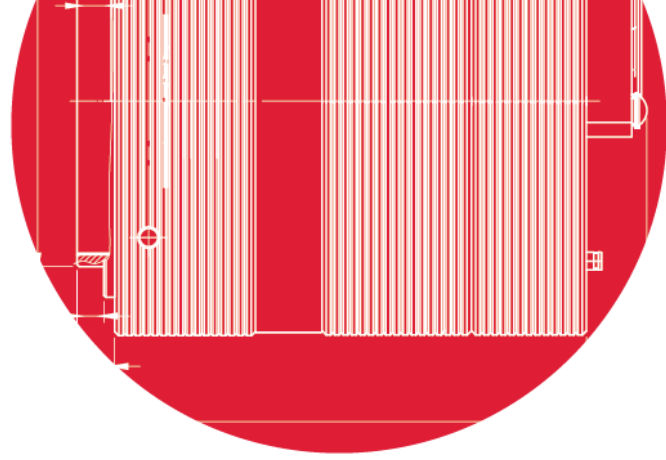
3. The camera begins downloading the upgrade file and the downloading status is displayed at the bottom of the window.



Appendix C Position settings according to sequence modes

Ratio for 1 Pixel

Order	Mono4Frame		Mono9Frame		Mono2FrameH		Mono2FrameV		Bayer4Frame		Bayer16Frame	
	X	Y	X	Y	X	Y	X	Y	X	Y	X	Y
1	0	0	0	0	0	0	0	0	0	0	0	0
2	1/2	0	1/3	0	1/2	0	0	1/2	1	0	1	0
3	0	1/2	2/3	0	-	-	-	-	0	1	0	1
4	1/2	1/2	0	1/3	-	-	-	-	1	1	1	1
5	-	-	1/3	1/3	-	-	-	-	-	-	1/2	0
6	-	-	2/3	1/3	-	-	-	-	-	-	3/2	0
7	-	-	0	2/3	-	-	-	-	-	-	1/2	1
8	-	-	1/3	2/3	-	-	-	-	-	-	3/2	1
9	-	-	2/3	2/3	-	-	-	-	-	-	0	1/2
10	-	-	-	-	-	-	-	-	-	-	1	1/2
11	-	-	-	-	-	-	-	-	-	-	0	3/2
12	-	-	-	-	-	-	-	-	-	-	1	3/2
13	-	-	-	-	-	-	-	-	-	-	1/2	1/2
14	-	-	-	-	-	-	-	-	-	-	3/2	1/2
15	-	-	-	-	-	-	-	-	-	-	1/2	3/2
16	-	-	-	-	-	-	-	-	-	-	3/2	3/2



Vieworks Co., Ltd.

41-3, Burim-ro, 170beon-gil,
Dongan-gu, Anyang-si, Gyeonggi-do
14055 Republic of Korea

Tel: +82-70-7011-6161

Fax: +82-31-386-8631

<http://www.vieworks.com>

vision@vieworks.com