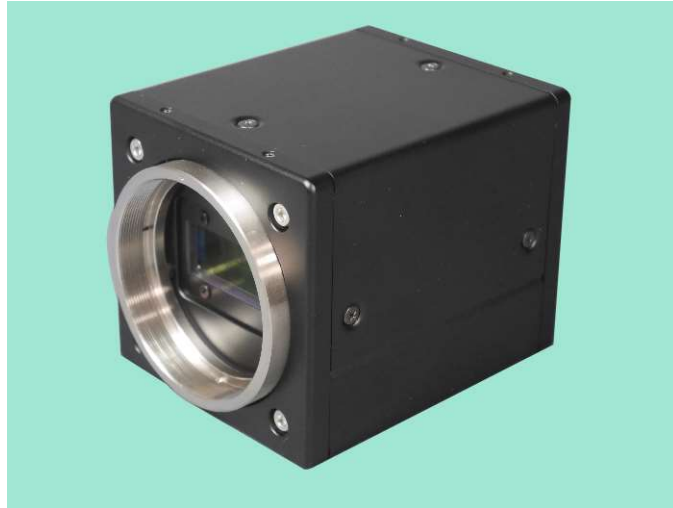


**NEW****BVC5404 3CMOS 4K RGB Line Scan Camera**

**BVC5404 equips newly developed prism optics for line sensors in lightweight and compact body and uses three 4K CMOS line sensors to capture R, G and B wavelength simultaneously.**

**Key features**

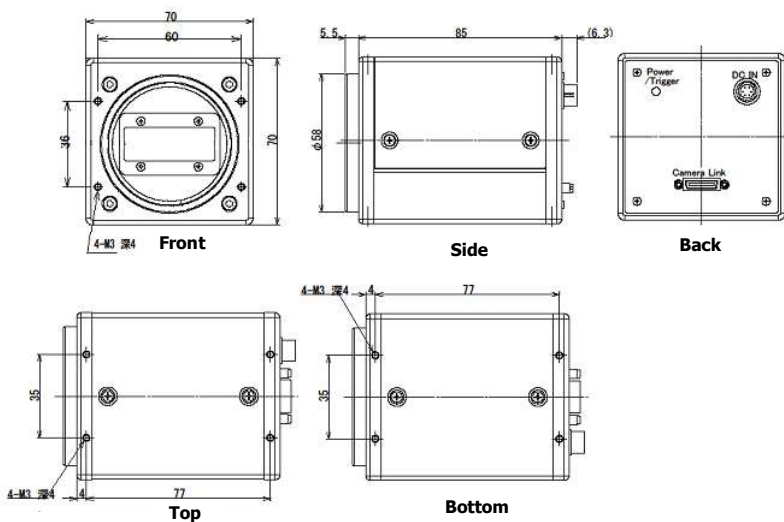
- ◆ Newly developed RGB Dichroic prism for line scan camera
- ◆ Three CMOS, 4096 pixels, 7 $\mu$ m square pixel sensors to be used
- ◆ Small size, light in weight, compact body design
- ◆ Pixel clock cycle of 80MHz/40MHz and line rate of 18,034 lines/second
- ◆ Variable electronic shutter from 9.52 $\mu$ s to 100ms in 12.5ns unit
- ◆ Image output through 4K full resolution mode, Binning 2K mode or Window 2K mode can be selected
- ◆ Camera Link Base configuration, 8bit  $\times$ 3 output
- ◆ Gain setting from -3dB to +12dB
- ◆ Internal or External trigger for synchronization
- ◆ Various compensation functions are installed (see back page)
- ◆ Three electronic shutter modes (No Shutter mode, Shutter Select mode, Pulse width)
- ◆ Communication interface by Camera Link, Baud rate of 115200bps
- ◆ Field update function
- ◆ Camera Control Tool is available

## Specifications

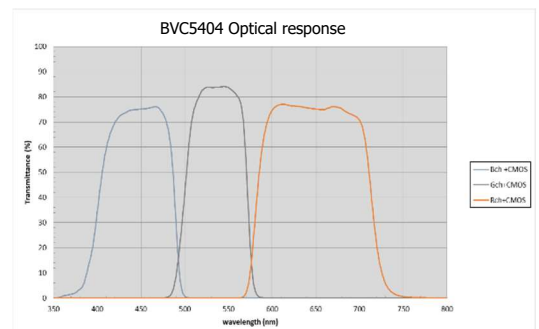
	BVC5404
Optical system	RGB Dichroic prism
Image sensor	4096 pixels, 7 $\mu$ m square pixel, CMOS line sensor $\times$ 3
Effective image length	28.672mm
Synchronization	Internal / External trigger
Camera Link Pixel clock cycle	80MHz / 40MHz selectable
Line rate / Line frequency	55.45 $\mu$ s / 18.03kHz (Internal, Full resolution)
Image output	4K full resolution mode / 2 pixels binning 2K mode / Window 2K mode selectable Camera Link, Base configuration, 8bit $\times$ 3 output
Standard illumination	3500lx (Color temp. 7800K equivalent, Gain Low, Shutter OFF, F2.8, Line rate 330 $\mu$ s, 100% video)
S/N	8bit gradation (S/N: more than 48dB)
Line rate variable range	55.45 $\mu$ s $\sim$ 100ms in 12.5ns unit
Electronic shutter	Variable range 9.52 $\mu$ s $\sim$ 100ms in 12.5ns unit
Gain	R/G/B -3 dB $\sim$ +12dB
Black level	R/G/B 0LSB $\sim$ 31LSB
Trigger input	Camera Link LVDS (CC1)
Electronic shutter mode	1. No Shutter mode (Internal/External trigger) 2. Shutter Select mode (Internal/External trigger) 3. Pulse Width Control (External trigger)
Compensation	DSNU, Flat/Color shading compensation, Lens aberration compensation (ON/OFF)
Communication interface	Camera Link EIA644, Baud rate 115200bps
Lens mount	M52 mount / F mount(option)
Input voltage /Current consumption	DC 12V $\sim$ 24V, Typical 0.42A / Max. 0.5A (in case of DC12V input)
Operating Temp./Humidity	-5 $^{\circ}$ C $\sim$ +45 $^{\circ}$ C / 20% $\sim$ 80% (non-condensing)
Storage Temp./Humidity	-25 $^{\circ}$ C $\sim$ +60 $^{\circ}$ C / 20% $\sim$ 80% (non-condensing)
Dimensions (W $\times$ H $\times$ D)	70 $\times$ 70 $\times$ 85mm (excluding protrusion)
Weight	570g

**Specifications are subject to change without prior notice.**

## Dimensions



## Optical response



## BlueVision Ltd., Japan

3-17-2 Shin-Yokohama, Kohoku-ku, Yokohama  
Kanagawa, 222-0033 Japan

TEL: 045-471-4595 FAX: 045-471-4598

URL: [www.bluevision.jp](http://www.bluevision.jp) / Contact: [sales@bluevision.jp](mailto:sales@bluevision.jp)

